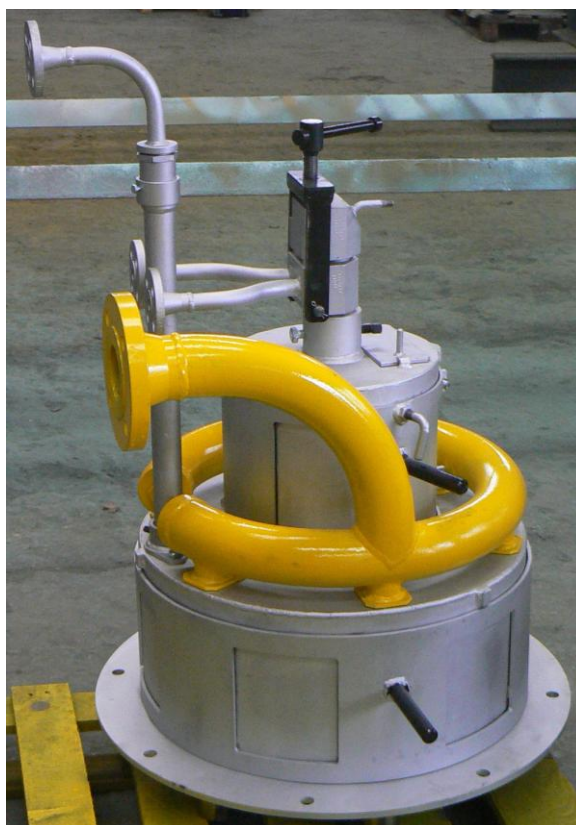




СПЕЦИАЛЬНЫЕ ГОРЕЛКИ

ДЛЯ ПРОМЫШЛЕННЫХ ПЕЧЕЙ



Специальные ГОРЕЛКИ

для промышленных печей
химической промышленности

выпускает



Этот проспект включает:

Вводное информации

Горелки HPN-T типовая серия (7 размеров)

Горелки HN-T

Горелки HP-T

Горелки HPN-T...K типовая серия (7 размеров)

Горелки HN-T...K

Горелки HN-T...K 3,3

Горелки HP-T...K

Горелки HPN-ST типовая серия (7 размеров)

Горелки HNS-T

Горелки HPS-T (HP-ST)

Горелки HPS-T

Горелки HI 160, HI 230

Горелки HIT 160, HIT 230

Горелки PHP 1

Горелки HIT 1000

Горелки GIT 1360

Горелки GIS 1360

Горелки BIG 350

Горелки GVK 1360 (ротационные)

Горелки OPH 330 S, OPH 330

Специальные горелки для промышленных печей химической промышленности выпускает КПС Метал на основе заказной заявки, обоснованной рабочим проектом, разработанным всегда для каждой конкретной акции. КПС Метал не располагает собственным КБ печей и горелок, а поэтому не может специфицировать горелки и их оснащение соплами и остальными устройствами на основе данных по заданию покупателя. Однако, наша фирма длительное время сотрудничает с проектными организациями, а поэтому мы способны в случае конкретно проявленного интереса контактировать Вас с данными фирмами.

КПС Метал разрабатывает производственную документацию по проекту (рабочие чертежи) и выпускает горелки в достаточно сжатые сроки при приемлемых ценах.

Во всех случаях дело касается **специальных горелок**, являющихся неотделимой составной частью промышленных печей. Речь идет лишь о горелках, проектируемых и выпускаемых для конкретного применения.

В связи с разносторонностью химической промышленности существует больше число типов печей с совершенно различными эксплуатационными условиями. Именно поэтому существует широкий ассортимент горелок, отвечающих самым разным требованиям по мощности и диапазону регуляции, форме и длине факела, характеру сжигания в зависимости от тяги и разрежения в печи, давлению и температуре воздуха и его избытку; давлению, температуре, составу теплотворной способности, вязкости и плотности жидкого и газообразного топлива, по допускаемому уровню шума, по допускаемому составу дымовых газов, присоединительным размерам к печи и к линиям подачи топлива и воздуха, и т.п.....

В связи с этим горелки всегда для каждой акции „шьются по размеру“, причем, как правило, посредством дополнения, модификации, изменения уже существующих типов или же разработки новой конструкции.

Проектная разработка должна содержать:

- 1) Технические данные горелки с приложениями, схему присоединения топлива, или же по-необходимости, предписания по надежной работе, обслуживанию и уходу.
- 2) Типоразмер горелки, спецификацию всех переменных частей – т.е. стабилизатор и зажиг. горелок, присоедин. элементы для газа, масла и пара, точную спецификацию всех сопел, их материал, диаметры отверстий во всех наборах сопел, общий объем поставки, спецификацию окраски, данные на тов. бирке и т.п.
- 3) В проекте также должно указываться, что проектная фирма берет на себя выполнение гарантий за функцию, параметры и надежность работы горелок. Производственное предприятие КПС Метал несет гарантии лишь за механическую функцию, материал и выполнение по документации.

Объем поставки:

- Мы поставляем самостоятельную комплектно оснащенную горелку с предписанными наборами сопел, со вспомогательными принадлежностями и запчастями первого оснащения.
- В состав поставки КПС Метал не входит камень горелки, подводящих трубопроводов к ней, а также оборудование для регуляции, управления и охраны. Последнее является составной частью печи, причем КПС Метал его не обеспечивает и не специфицирует.

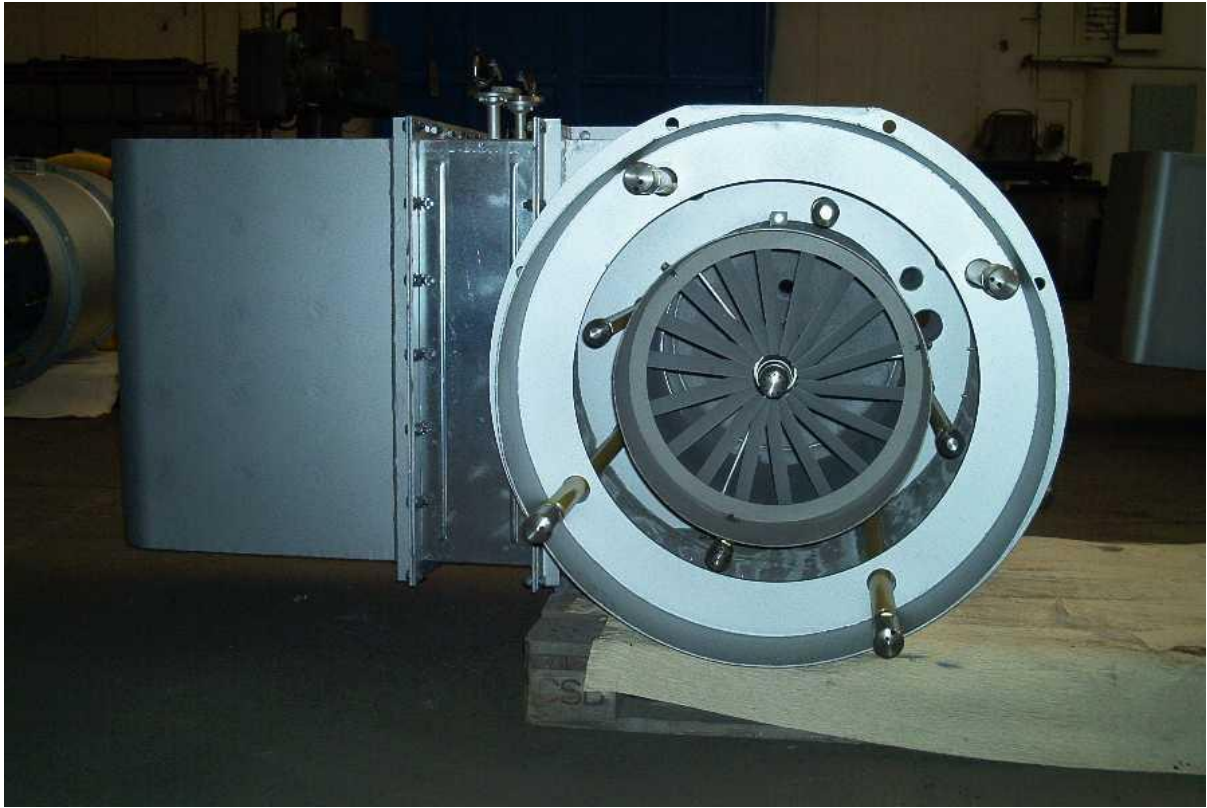
Запчасти мы выпускаем ко всем типам нами поставляемых горелок в сжатые сроки на основе заказных заявок.

Целые **запасные горелки** выпускаем без проектных разработок лишь в том случае, если они будут одинаковой конструкции и будут применяться на том же самом месте и для тех же целей, при одинаковых эксплуатационных условиях, как и первоначальные горелки.

ГОРЕЛКИ



ГОРЕЛКИ



ГОРЕЛКИ



ГОРЕЛКИ



ГОРЕЛКИ



ГОРЕЛКИ

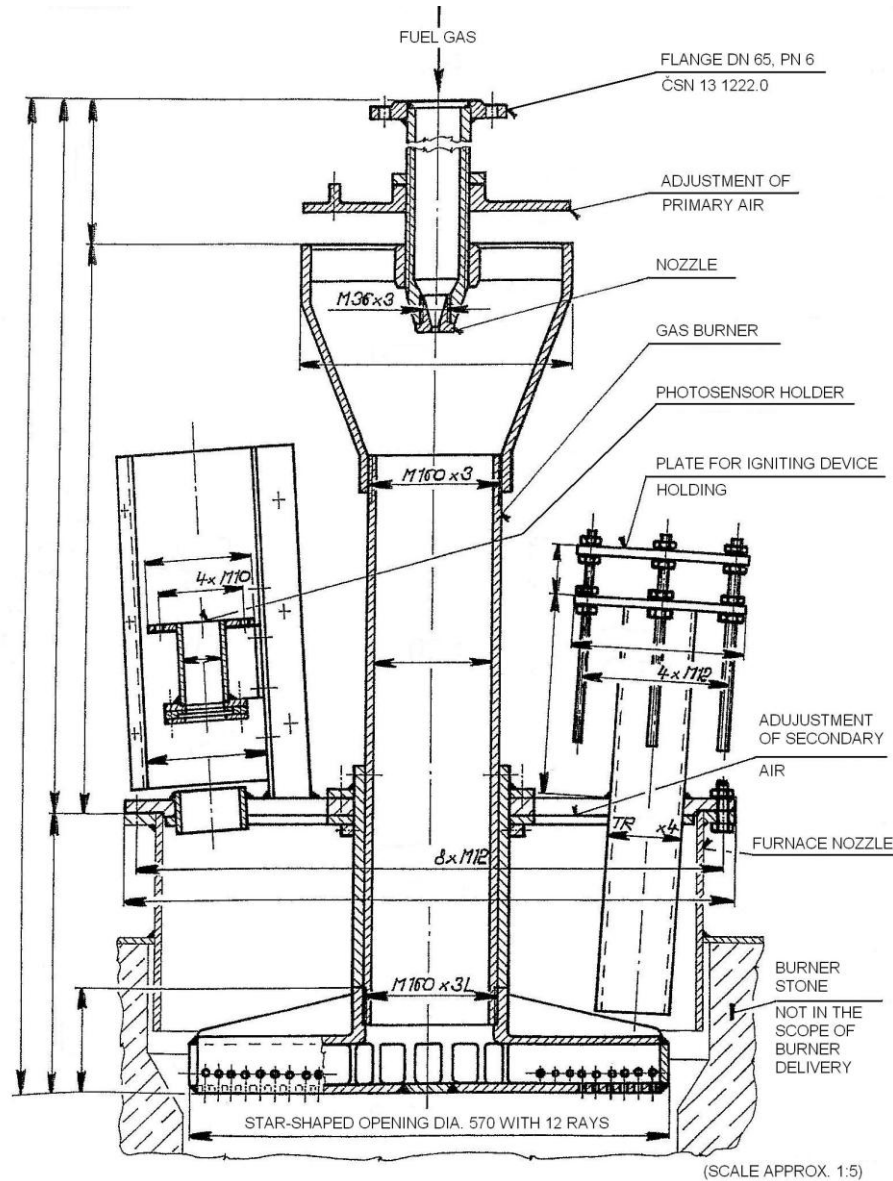


SPECIAL BURNERS FOR INDUSTRIAL FURNACES OF CHEMICAL INDUSTRY

BURNERS BIG 350

THEY ARE GAS – INJECTOR, MIDDLE PRESSURE
WITH ATMOSPHERIC COMBUSTION AIR
SUCKLED IN FROM SURROUNDINGS TO BURNER WITH
UNDERPRESSURE IN THE FURNACE

- WITHOUT STABILIZATION BURNER
- WITH FIXED ELECTROSPARK IGNITING DEVICE
- WITH MANUAL REGULATION OF PRIMER AND SECONDARY COMBUSTION AIR



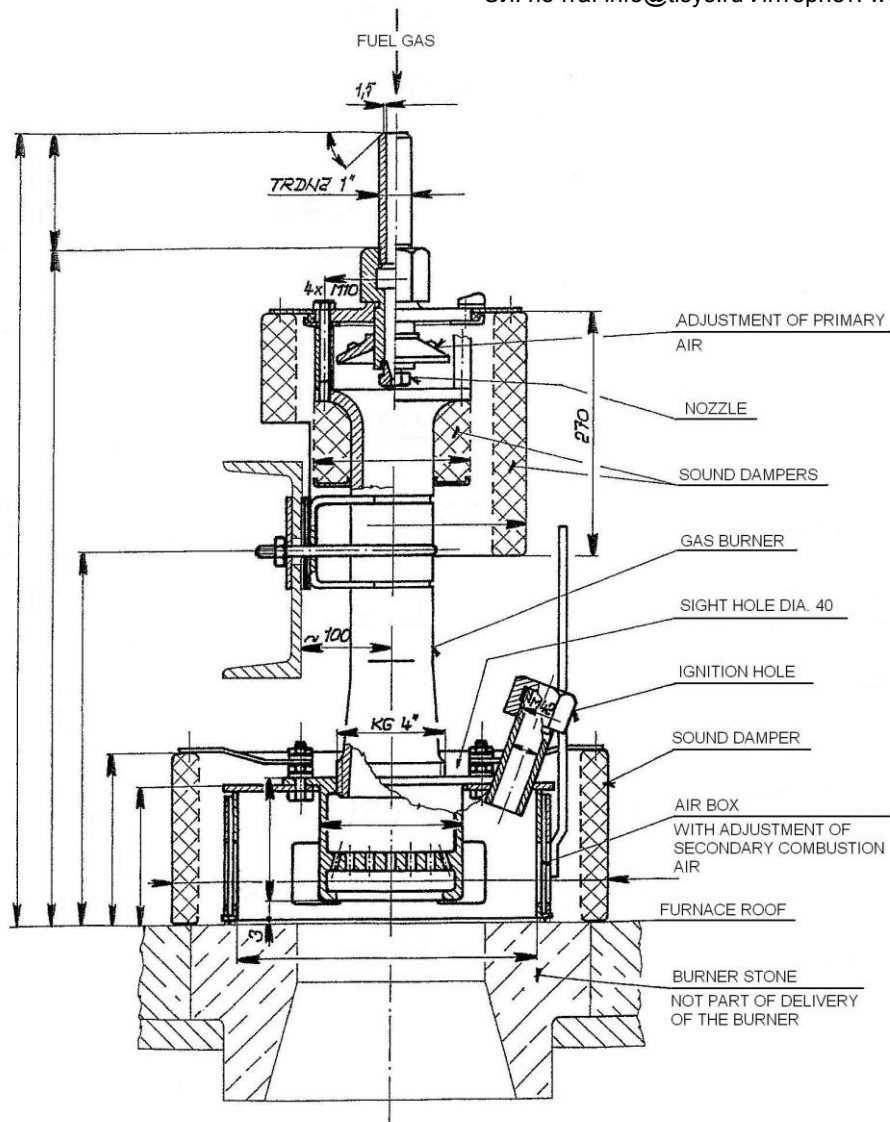
TYPE	MW	~ kgs
BIG 350	2,2	182

BURNERS BIG 350 ARE MANUFACTURED BY



01/92

3 22 9248.0030



(SCALE APPROX. 1:5)

SPECIAL BURNERS FOR INDUSTRIAL FURNACES OF CHEMICAL INDUSTRY

BURNERS GIS 1360 T


THEY ARE GAS – INJECTOR, MIDDLE PRESSURE
WITH ATMOSPHERIC COMBUSTION AIR
SUCKLED IN FROM SURROUNDINGS TO THE BURNER WITH
UNDERPRESSURE IN THE FURNACE

- WITHOUT STABILIZATION BURNER

- WITH MANUAL ADJUSTMENT OF PRIMARY AND SECONDARY
COMBUSTION AIR

- THE BURNERS ARE EQUIPPED WITH SOUND DAMPERS ON
PRIMARY AND SECONDARY AIR

- IGNITION OF BURNERS IS MADE BY MOBILE GAS IGNITION
BURNER (APPROX. 15 kW) OR BY MOBILE ELECTROSPARK
IGNITING DEVICE (AS PER PROJECT). IGNITION BURNER OR
ELECTRIC IGNITION CAN BE PART OF DELIVERY OF THE
BURNERS.

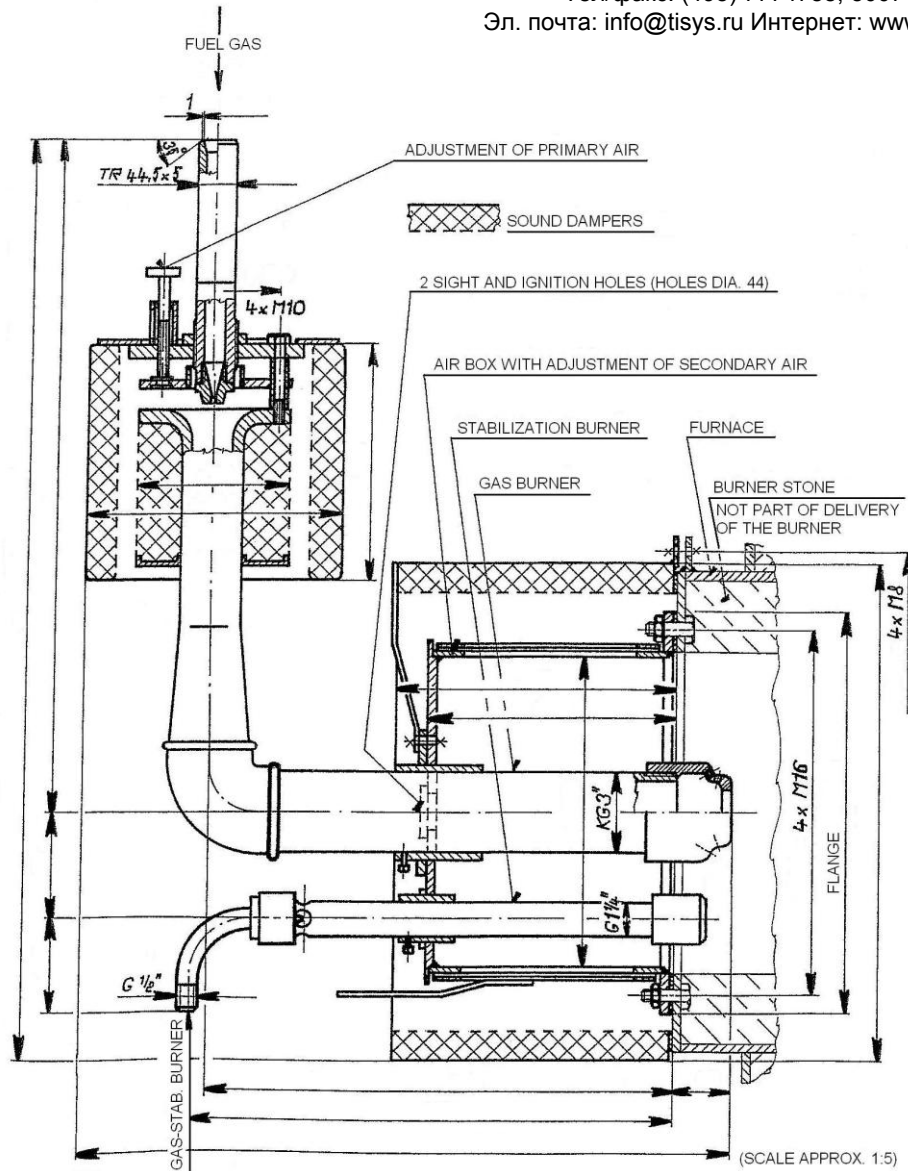
TYPE	MW	kg	BURNERS GIS 1360T ARE MANUFACTURED BY	
GIS 1360T	1,3	54	 akciová společnost	
			01/92	3 22 9248.0029

SPECIAL BURNERS FOR INDUSTRIAL FURNACES OF CHEMICAL INDUSTRY

BURNERS GIT 1360T

THEY ARE GAS – INJECTOR, MIDDLEPRESSURE WITH ATMOSPHERIC COMBUSTION AIR INTAKEN FROM AIR INTO THE BURNER BY UNDERPRESSURE IN THE FURNACE

- WITH A STABILIZATION BURNER, INJECTOR SHI-B15 (ABOUT 15 KW)
- BURNERS HAVE A MANUAL ADJUSTMENT OF PRIMARY AND SECONDARY COMBUSTION AIR
- BURNERS ARE EQUIPPED WITH SOUND DAMPERS AT PRIMARY AND SECONDARY AIR
- IGNITION OF BURNERS IS CARRIED OUT EITHER BY A MOBILE GAS IGNITION BURNER (ABOUT 15 KW) OR MOBILE ELECTROSPARKS (ACCORDING TO THE PROJECT). THE IGNITION BURNER OR ELECTRICAL IGNITION CAN BE A PART OF A BURNER DELIVERY



TYPE	MW	~ kgs
GIT 1360T	1	70

BURNERS GIT 1360T ARE MANUFACTURED BY



01/92

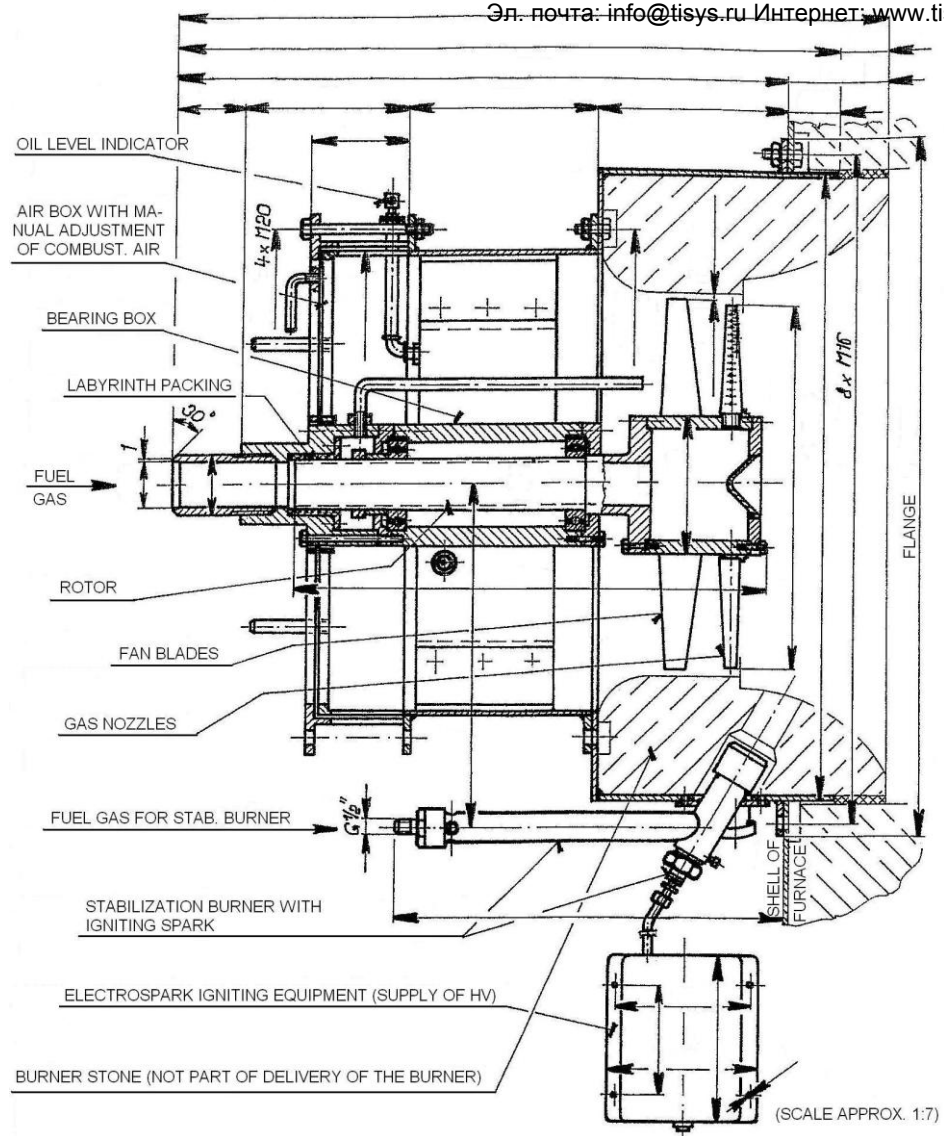
3 22 9248.0028

SPECIAL BURNERS FOR INDUSTRIAL FURNACES OF CHEMICAL INDUSTRY

BURNERS GVK 1360

THEY are gas – rotating, noninjector with atmospheric combustion air,
 WHICH IS INTAKEN INTO THE BURNER :

- 1) BY UNDERPRESSURE IN THE FURNACE (= FURNACE DRAUGHT)
 - 2) BY UNDERPRESSURE CREATED IN FANS
- AMOUNT OF COMBUSTION AIR IS ADJUSTED MANUALLY, ON THE AIR BOX, BY SCREEN WITH EIGHT OPENINGS AT HEAD AND AROUND THE CIRCUMFERENCE OF THE SCREEN
 - EIGHT BLADES CREATING A FAN ARE LOCATED DIRECTLY ON THE ROTOR OF THE BURNER TOGETHER WITH TEN GAS NOZZLES. THE ROTOR IS PROPELLED BY GAS COMING FROM SUITABLY POSITIONED NOZZLES. THE ROTOR IS ROTATING IN BALL BEARINGS PLACED IN A CAST-IRON BOX WITH AN OIL FILLING WHOSE LEVEL IS INDICATED BY AN OIL LEVEL INDICATOR.
 - STABILIZATION GAS INJECTOR BURNER (ABOUT 15 KW) HAS PERMANENTLY INSTALLED AN ELECTRICAL IGNITING SPARK OF THE STABLE ELECTROSPARK IGNITING DEVICE WHICH IS A PART OF EACH BURNER DELIVERY



TYPE	OUTPUT	OVEPRESSURE	~ kgs
	MIN. 4,4 MW	100 kPa	
GVK 1360	NOM. 7 MW	200 kPa	334
	MAX. 17,5 MW	300 kPa	

ROTARY BURNERS GVK 1360 ARE MANUFACTURED BY



01/92 3 22 9248.0031

SPECIAL BURNERS FOR INDUSTRIAL FURNACES OF CHEMICAL INDUSTRY

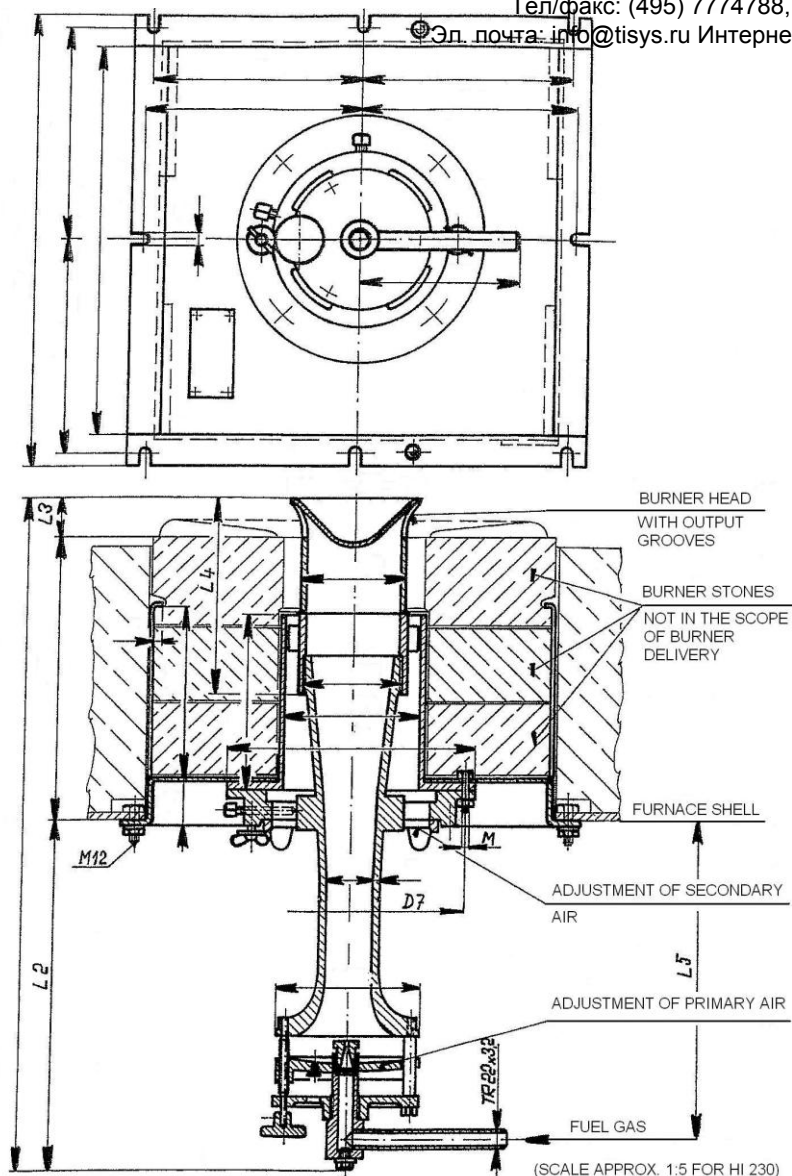
RADIATING FLASHLESS BURNERS HI 230 AND HI 160

THEY ARE GAS – INJECTOR, MIDDLE PRESSURE
WITH ATMOSPHERIC COMBUSTION AIR
SUCKLED IN FROM SURROUNDINGS TO BURNER WITH
UNDERPRESSURE IN THE FURNACE

- WITHOUT STABILIZATION BURNER

- THE BURNER HAS MANUAL CONTROL OF PRIMARY AND
SECONDARY COMBUSTION AIR

- IGNITION OF BURNERS IS MADE BY MOBILE GAS IGNITION
BURNER (APPROX. 15 kW) THAT CAN BE PART OF DELIVERY
OF THE BURNERS



Mcal/h	MW	D1	D2	D3	D4	D5	D6	D7	M	L1	L2	L3	L4	L5	~ kgs
230	0,27	148	116	M115x3	151	280	52	245	16	766	402	50	224	370	50
160	0,19	115	90	M85x3	126	255	42	220	12	666	307	45	160	275	40

BURNERS HI ARE MANUFACTURED BY



01/92

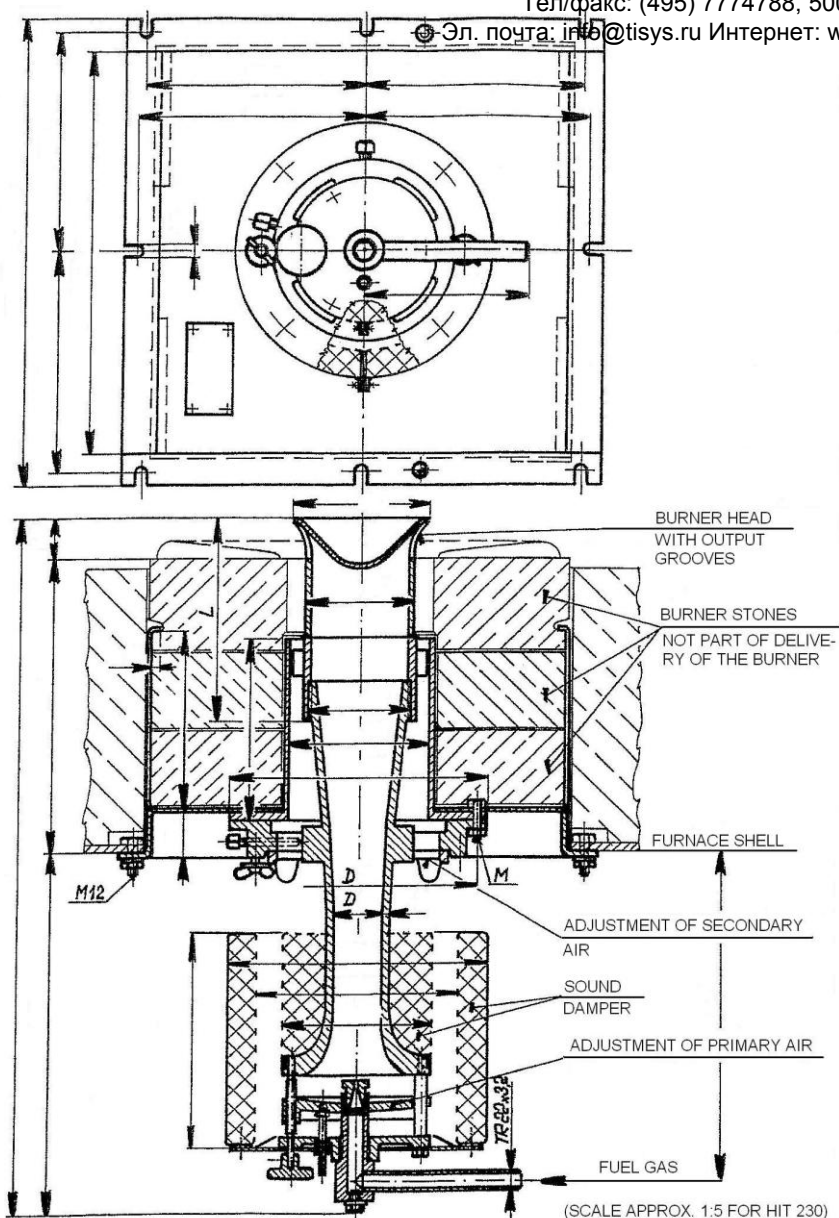
3 22 9243.0024

SPECIAL BURNERS FOR INDUSTRIAL FURNACES OF CHEMICAL INDUSTRY

RADIATING FLASHLESS BURNERS HIT 230 AND HIT 160

THEY ARE GAS – INJECTOR, MIDDLE PRESSURE
WITH ATMOSPHERIC COMBUSTION AIR
SUCKLED IN FROM SURROUNDINGS TO BURNER WITH
UNDERPRESSURE IN THE FURNACE

- WITHOUT STABILIZATION BURNER
- WITH MANUAL CONTROL OF PRIMARY AND SECONDARY
COMBUSTION AIR
- THE BURNERS ARE EQUIPPED WITH SOUND DAMPERS
- IGNITION OF BURNERS IS MADE BY MOBILE GAS IGNITION
BURNER (APPROX. 15 kW) THAT CAN BE PART OF DELIVERY
OF THE BURNERS



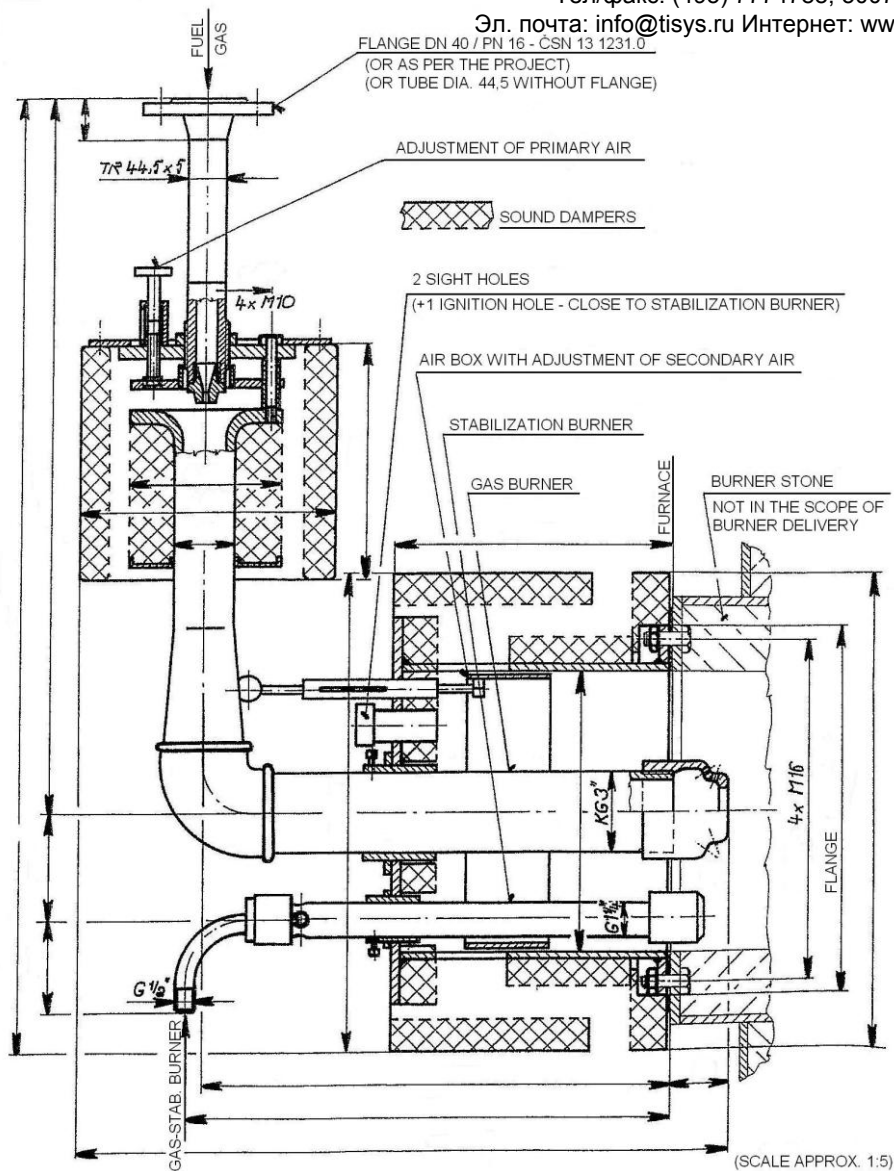
Mcal/h	MW	D1	D2	D3	D4	D5	D6	D7	M	L1	L2	L3	L4	L5	L6	kgs
230	0,27	148	116	M115x3	151	280	52	245	16	766	402	50	224	370	240	55
160	0,19	115	90	M85x3	126	255	42	220	12	666	307	45	160	275	155	44

BURNERS HIT ARE MANUFACTURED BY



01/92

3 22 9243.0025



SPECIAL BURNERS FOR INDUSTRIAL FURNACES OF CHEMICAL INDUSTRY

BURNERS HIT 1000

THEY ARE GAS – INJECTED, MIDDLEPRESSURE WITH ATMOSPHERIC COMBUSTION AIR intaken from air into the burner by underpressure in the furnace

- WITH A STABILIZATION BURNER, INJECTOR SHI-B15 (ABOUT 15 KW)
- BURNERS HAVE A MANUAL ADJUSTMENT OF PRIMARY AND SECONDARY COMBUSTION AIR
- BURNERS ARE EQUIPPED WITH POWERFUL SOUND DAMPERS AT PRIMARY AND SECONDARY AIR
- IGNITION OF BURNERS IS CARRIED OUT BY A MOBILE GAS IGNITION BURNER (ABOUT 15 KW) WHICH CAN BE A PART OF BURNERS DELIVERY

TYPE	MW	~ kgs
HIT 1000	1	80

BURNERS HIT 1000 ARE MANUFACTURED BY

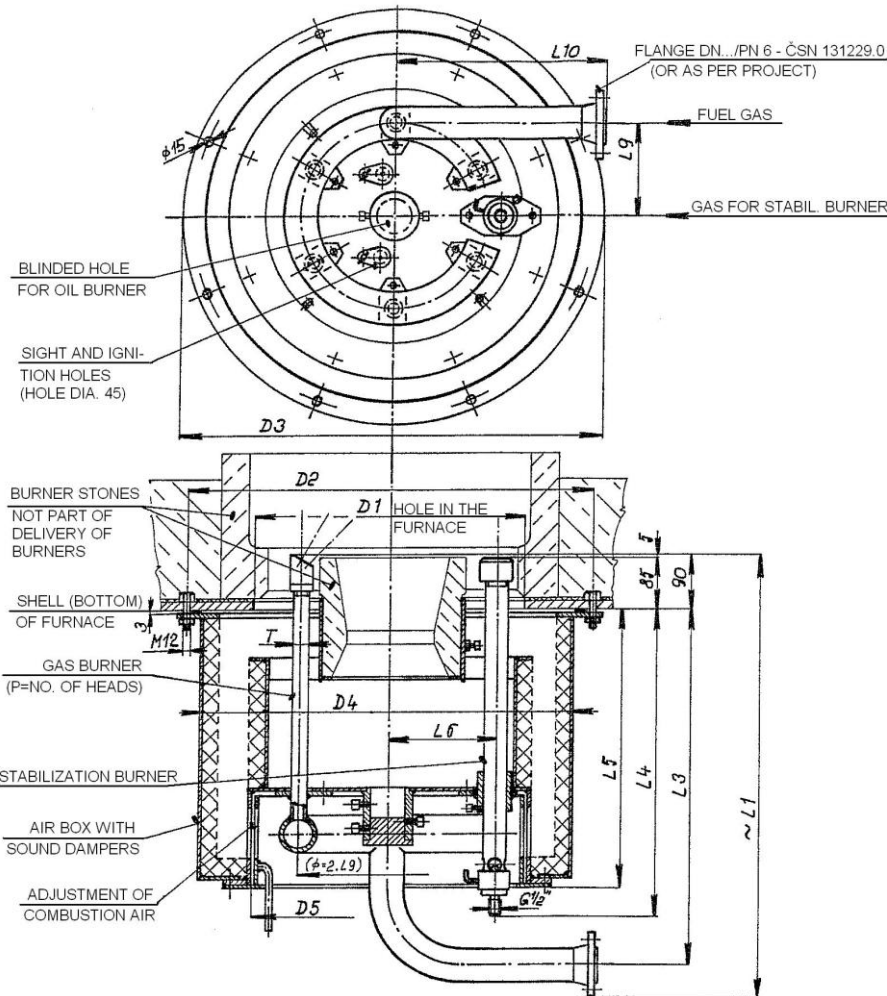


01/92

3 22 9248.0027

**SPECIAL BURNERS FOR INDUSTRIAL FURNACES
 OF CHEMICAL INDUSTRY**

**BURNERS TYPE SERIES HNS-T WITH
 SEVEN DIFFERENT SIZES.**



(SCALE APPROX. 1:10
 FOR HNS-T 2)

NOMINAL POWER OF EACH SIZE	0,7	1	1,5	2	2,6	3,3	4,1
	MW	MW	MW	MW	MW	MW	MW

THE BURNERS ARE GAS BURNERS WITH ATMOSPHERIC COMBUSTION AIR, INTAKEN FROM AIR INTO THE BURNER BY UNDERPRESSURE IN THE FURNACE

- GAS BURNER IS MIDDLE PRESSURE, NONINJECTOR WITH 5 – 10 HEADS
- STABILIZATION BURNER IS INJECTOR, GAS WITH A POWER OF ABOUT 15 KW (20 KW FROM HNS-T 2)
- AIR BOX IS INSIDE LINED WITH SOUND DAMPERS AND IT HAS A MANUAL ADJUSTMENT OF THE INTAKEN COMBUSTION AIR
- IGNITION OF BURNERS IS CARRIED OUT EITHER BY A MOBILE GAS IGNITION BURNER (ABOUT 15 KW) WHICH CAN BE A PART OF THE BURNER DELIVERY

THE BURNERS HNS-T CAN BE MANUFACTURED IN DIFFERENT OPTIONS, E.G.

- TYPE IMPLEMENTATION VERTICAL (SEE SKETCH)
- HORIZONTAL IMPLEMENTATION (INLETS OF STABILIZATION BURNER ADJUSTED)
- GAS INLET CAN BE IMPLEMENTED BY ANOTHER FLANGE OR ROTATED IN ANOTHER DIRECTION
- (BURNER CAN BE POSSIBLY EQUIPPED WITH AN OIL BURNER – THIS RESULTS IN CREATION OF THE BURNER HPN-ST, SEE CATALOGUE SHEET NO. 3 22-9248.0023)

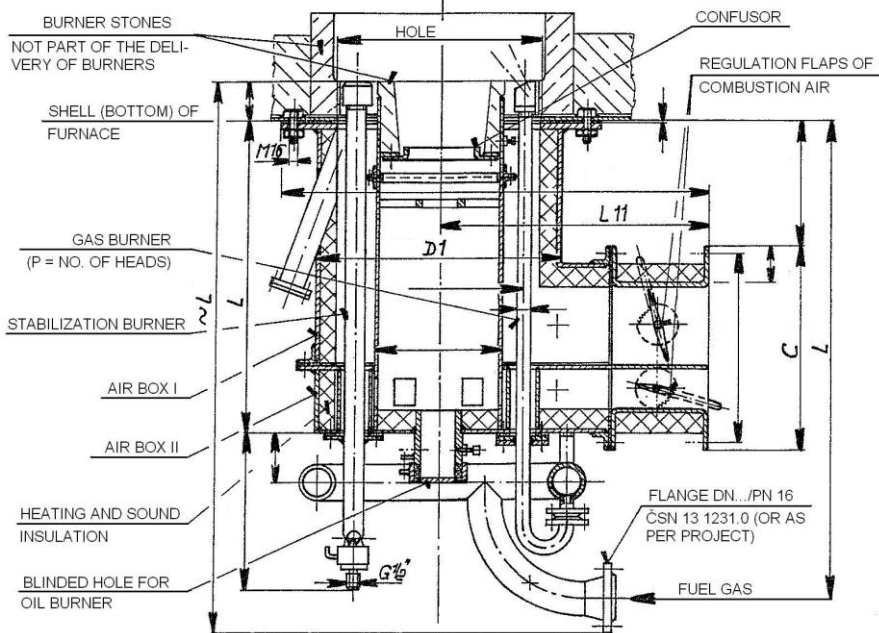
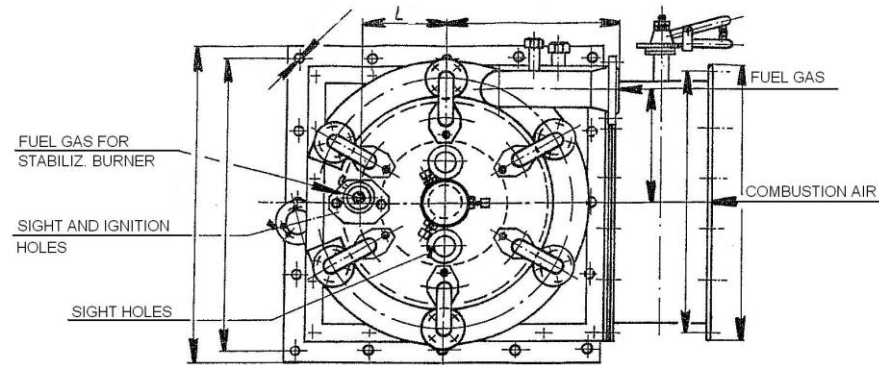
THE BURNERS HNS-T HAVE A MODERN DESIGN WITH LOW NOISINESS (UNDER 85 DB/A), WITH LOW SURPLUS OF AIR AND WITH ECOLOGICAL AND ECONOMICAL OPERATION.

MW	D1	D2	D3	D4	D5	L1	L3	L4	L5	L6	L9	L10	T	P	DN	kgs
0,7	415	655-8xM12	685	611	450	685	523	465	409	155	145	345	1/2"	5	40	80
1	450	700-8xM12	730	656	480	720	558	465	444	170	165	360	1/2"	6	40	95
1,5	480	740-8xM12	770	696	500	803	633	515	521	180	180	380	3/4"	6	50	110
2	550	840-8xM12	880	786	560	883	713	660	598	205	200	425	3/4"	8	50	135
2,6	610	895-12xM12	935	851	600	968	788	660	663	225	220	460	3/4"	10	65	160
3,3	660	965-12xM12	1005	921	640	1033	853	795	728	245	240	490	3/4"	10	65	185
4,1	720	1030-12xM12	1070	986	680	1125	938	795	783	265	260	520	1"	10	80	210

BURNERS HNS-T ARE
 MANUFACTURED BY



03/92 3 22 9248.0037



(SCALE APPROX. 1:10 FOR HN-T2)

SPECIAL BURNERS FOR INDUSTRIAL FURNACES OF CHEMICAL INDUSTRY

BURNERS TYPE SERIES HN-T WITH SEVEN DIFFERENT SIZES.

NOMINAL POWER OF EACH SIZE	1 MW	1,5 MW	2 MW	2,6 MW	3,3 MW	4,1 MW	5 MW
----------------------------	------	--------	------	--------	--------	--------	------

The burners are gas with preheated forced combustion air (up to 400 °C)

- GAS BURNER IS MIDDLE PRESSURE, NONINJECTOR WITH 4 – 10 HEADS
- STABILIZATION BURNER IS INJECTOR, GAS WITH A POWER OF ABOUT 15 KW (4 VARIANTS)
- AIR BOXES ARE INSIDE LINED BY THERMAL AND SOUND INSULATION. THEY HAVE A MANUAL ADJUSTMENT OF PRIMARY AND SECONDARY COMBUSTION AIR, WHICH IS PREHEATED UP TO 400 °C
- IGNITION OF BURNERS IS CARRIED OUT EITHER BY A MOBILE GAS IGNITION BURNER (ABOUT 15 KW) OR ELECTROSPARKS (ACCORDING TO THE PROJECT AND TYPE OF THE STABILIZATION BURNER)

HN-T BURNERS CAN BE MANUFACTURED IN DIFFERENT OPTIONS, E.G.

- TYPE IMPLEMENTATION VERTICAL (SEE SKETCH)
- HORIZONTAL IMPLEMENTATION (INLETS OF OIL AND STABILIZATION BURNER ADJUSTED)
- GAS INLET CAN BE IMPLEMENTED BY ANOTHER FLANGE OR ROTATED IN ANOTHER DIRECTION
- (BURNER CAN BE EQUIPPED WITH AN OIL BURNER – THIS RESULTS IN CREATION OF THE BURNER HPN-T, SEE CATALOGUE SHEET NO. 3 22-9248.0021)

THE BURNERS OF THE TYPE HN-T HAVE A MODERN DESIGN

THEY HAVE DECREASED EMISSIONS OF NO_x, FUEL CONSUMPTION AND LOW NOISINESS.

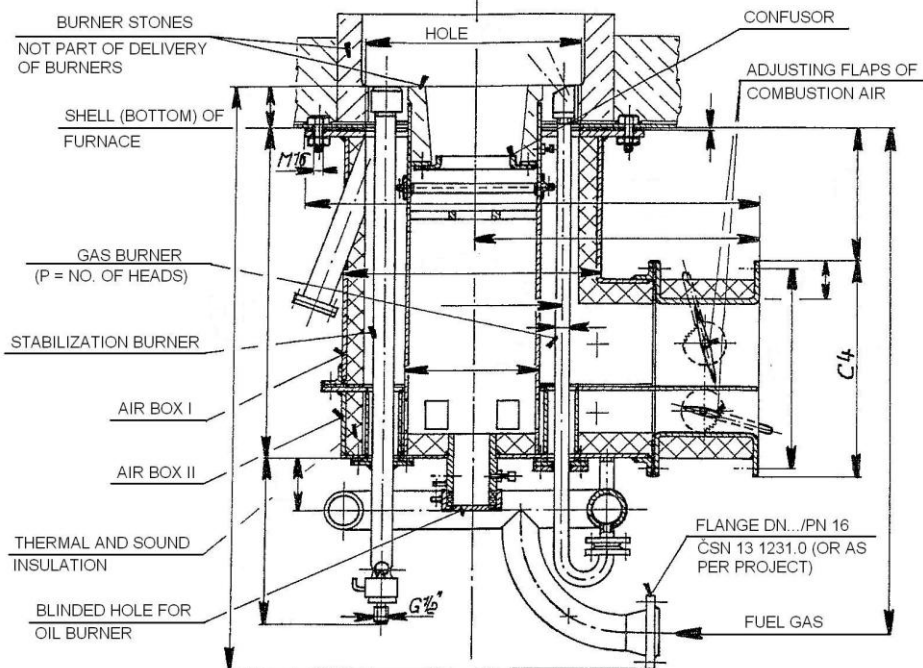
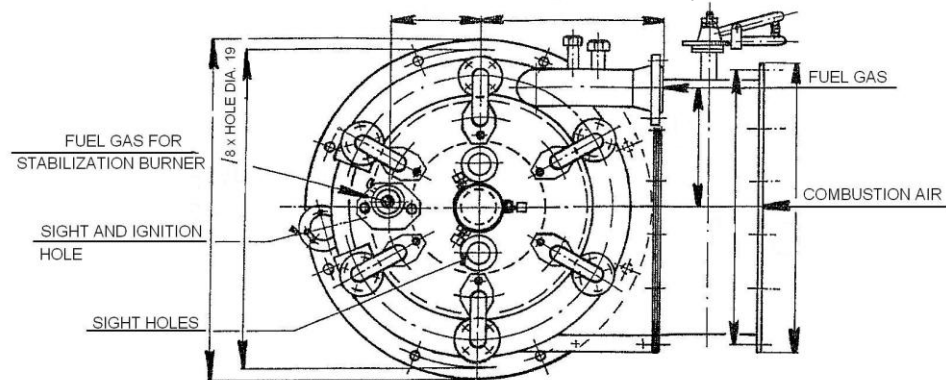
THE ECOLOGY, HYGIENE, AND ECONOMY OF OPERATION OF INDUSTRIAL FURNACES IS IMPROVED BY USAGE OF HPN-T BURNERS.

MW	D1	D2	D3	C1	C2	C3	C4	C5	C6	L1	L3	L4	L5	L6	L9	L10	L11	L12	DN	P	T	kgs
1	350	260	210	580	4x135	508	404	5x95	4x93	1135	968	263	632	142	220	275	521	811	40	4	1/2"	205
1,5	370	300	230	600	4x140	528	404	5x100	4x93	1135	968	263	632	150	240	275	331	516	40	4	1/2"	220
2	400	340	260	620	4x145	558	404	5x105	4x93	1147	972	263	632	170	235	360	546	856	50	6	1/2"	235
2,6	440	370	280	660	4x155	600	465	6x95	5x87	1268	1083	278	705	185	185	474	586	916	65	8	1/2"	280
3,3	480	400	320	700	5x132	638	493	6x101	5x92	1306	1121	285	743	195	212	510	626	976	65	8	1/2"	325
4,1	530	460	360	750	5x142	688	538	6x110	5x102	1408	1215	294	795	225	226	540	681	1056	80	8	3/4"	375
5	580	500	400	800	5x152	738	584	7x101	6x92	1485	1293	324	873	250	200	600	736	1136	80	10	3/4"	430

BURNERS HN-T ARE MANUFACTURED BY



01/92 3 22 9248.0033



(SCALE APPROX. 1:10 FOR HN-T 2 K)

SPECIAL BURNERS FOR INDUSTRIAL FURNACES OF CHEMICAL INDUSTRY

BURNERS TYPE SERIES HN-T...K WITH SEVEN DIFFERENT SIZES.

NOMINAL POWER OF EACH SIZE	1 MW	1,5 MW	2 MW	2,6 MW	3,3 MW	4,1 MW	5 MW
----------------------------	------	--------	------	--------	--------	--------	------

THE BURNERS ARE GAS BURNERS WITH PREHEATED FORCED COMBUSTION AIR (UP TO 400 °C)

- GAS BURNER IS MIDDLE PRESSURE, NONINJECTOR WITH 4 – 10 HEADS
- STABILIZATION BURNER IS INJECTOR, GAS WITH A POWER OF ABOUT 15 KW (4 OPTIONS)
- AIR BOXES ARE INSIDE LINED BY THERMAL AND SOUND INSULATION. THEY HAVE A MANUAL ADJUSTMENT OF PRIMARY AND SECONDARY COMBUSTION AIR, WHICH IS PREHEATED TO 400 °C
- IGNITION OF BURNERS IS CARRIED OUT EITHER BY A MOVABLE GAS IGNITION BURNER (ABOUT 15 KW) OR ELECTROSPARKS (ACCORDING TO THE PROJECT AND TYPE OF THE STABILIZATION BURNER)

BURNERS HN-T...K CAN BE MANUFACTURED IN DIFFERENT OPTIONS, E.G.:

- TYPE IMPLEMENTATION VERTICAL (SEE SKETCH)
- HORIZONTAL IMPLEMENTATION (INLETS OF OIL AND STABILIZATION BURNER ADJUSTED)
- GAS INLET CAN BE IMPLEMENTED BY ANOTHER FLANGE OR ROTATED IN ANOTHER DIRECTION
- (POSSIBLY BURNER CAN BE EQUIPPED WITH AN OIL BURNER – THIS RESULTS IN CREATION OF THE BURNER HPN-T, SEE CATALOGUE SHEET NO. 3 22-9248.0021)

THE BURNERS OF THE TYPE HN-T(K) HAVE A MODERN DESIGN

THEY HAVE DECREASED EMISSIONS OF NO_x, LOWED FUEL CONSUMPTION AND NOISINESS.

THE ECOLOGY, HYGIENE AND ECONOMY OF OPERATION OF INDUSTRIAL FURNACES IS IMPROVED BY USAGE OF HN-T(K) BURNERS.

M W	D1	D2	D3	C1	C2	C3	C4	C5	C6	L1	L3	L4	L5	L6	L9	L10	L11	L12	DN	P	T	kgs
1	350	260	210	580	540 8xø19	508	404	5x95	4x93	1135	968	263	632	142	220	275	521	811	40	4	1/2"	205
1,5	370	300	230	600	560 8xø19	528	404	5x100	4x93	1135	968	263	632	150	240	275	331	516	40	4	1/2"	220
2	400	340	260	620	580 8xø19	558	404	5x105	4x93	1147	972	263	632	170	235	360	546	856	50	6	1/2"	235
2,6	440	370	280	660	620 8xø19	600	465	6x95	5x87	1268	1083	278	705	185	185	474	586	916	65	8	1/2"	280
3,3	480	400	320	700	660 8x ø19	638	493	6x101	5x92	1306	1121	285	743	195	212	510	626	976	65	8	1/2"	325
4,1	530	460	360	750	710 8x ø19	688	538	6x110	5x102	1408	1215	294	795	225	226	540	681	1056	80	8	3/4"	375
5	580	500	400	800	760 8x ø19	738	584	7x101	6x92	1485	1293	324	873	250	200	600	736	1136	80	10	3/4"	430

BURNERS HN-T...K ARE MANUFACTURED BY



01/92 | 3 22 9248.0035

SPECIAL BURNERS FOR INDUSTRIAL FURNACES OF CHEMICAL INDUSTRY

BURNERS TYPE SERIES HN-T...K WITH SEVEN DIFFERENT SIZES.

NOMINAL POWER OF EACH SIZE	1	1,5	2	2,6	3,3	4,1	5
	MW	MW	MW	MW	MW	MW	MW

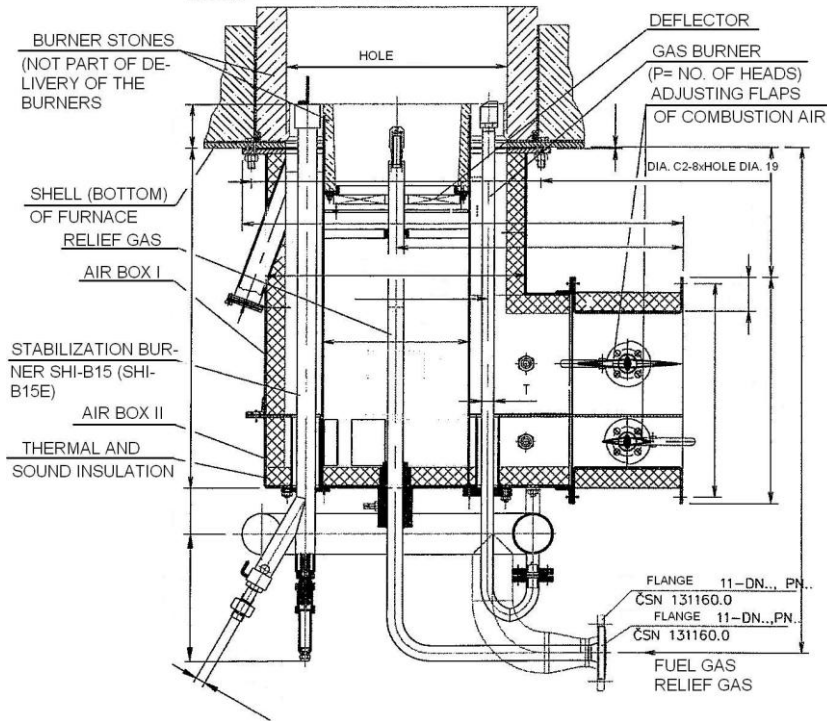
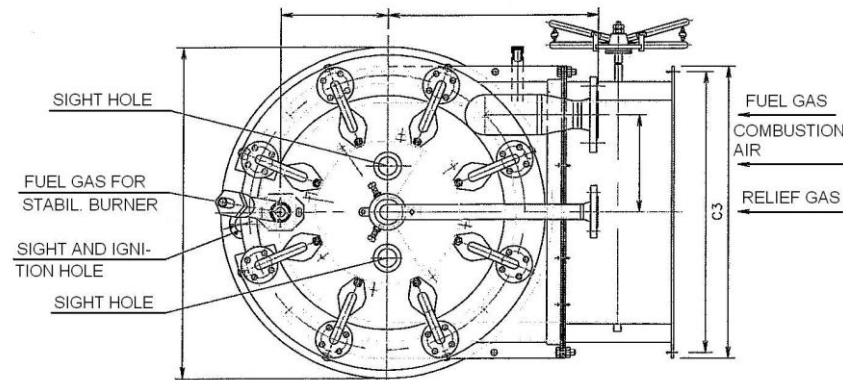
The burners are gas burners with INLET OF COMBUSTION AIR BY UNDERPRESSURE IN THE FURNACE OF WITH preheated forced combustion air (up to 400 °C)

- GAS BURNER IS MIDDLE PRESSURE, NONINJECTOR WITH 4 – 10 HEADS
- STABILIZATION BURNER SHI-B15 (SHI-B20) OR SHI-B1 IS INJECTOR, GAS WITH A POWER OF ABOUT 17 KW (20 KW FROM NN-T2K-SHI-B15)
- AIR BOXES ARE INSIDE LINED BY THERMAL AND SOUND INSULATION. THEY HAVE A MANUAL ADJUSTMENT OF PRIMARY AND SECONDARY COMBUSTION AIR INTAKEN BY UNDERPRESSURE OR PREHEATED WITH FORCED COMBUSTION UP TO 400 °C
- IGNITION OF STABILIZATION BURNERS SHI-B15 IS CARRIED OUT BY A MOBILE GAS IGNITION BURNER (ABOUT 15 KW) THAT CAN BE A PART OF DELIVERY OF BURNERS
- IGNITION OF STABILIZATION BURNERS SHI-B15E IS CARRIED OUT BY MEANS OF EMBEDDED IGNITION ELECTRODE AND APPROPRIATE SAFEGUARDING SET

BURNERS HN-T..K CAN BE MANUFACTURED IN VARIOUS OPTIONS, E.G.:

- TYPE IMPLEMENTATION VERTICAL
- HORIZONTAL IMPLEMENTATION
- GAS INLET CAN BE IMPLEMENTED BY ANOTHER FLANGE OR ROTATED IN ANOTHER DIRECTION
- AIR INLET CAN BE SUPPLEMENTED WITH INLET NECK (SOUND DAMPER)
- SUPPLEMENTED WITH TUBE BURNER OF RELIEF GAS (WASTE GAS) HN-T..Ks
- POSSIBLY WITH SQUARE AIR BOX MARKED HN-T (WITHOUT LETTER K)

THE BURNERS OF THE TYPE HN-T(K) HAVE A MODERN DESIGN WITH DECREASED EMISSIONS OF NO_x, FUEL CONSUMPTION AND LOW NOISINESS. THE ECOLOGY, HYGIENE AND ECONOMY OF OPERATION OF INDUSTRIAL FURNACES IS IMPROVED BY USAGE OF HN-T(K) BURNERS.



MW	D1	D2	D3	C1	C2	C3	C4	C5	C6	L3	L4	L5	L6	L9	L10	L11	L12	DN/H1	DN/H2	P	T	kg	
1																							
1,5																							
2																							
2,6																							
3,3	480	400	320	670	630	638	493	6x101	4x115	1100	285	743	195	212	465	626	961	50	40	8	3/4"	360	
4,1																							
5																							

BURNERS HN-T...K ARE
MANUFACTURED BY



05/02 3 22 9248.0055

SPECIAL BURNERS FOR INDUSTRIAL FURNACES OF CHEMICAL INDUSTRY

BURNERS TYPE SERIES HPN-ST WITH SEVEN DIFFERENT SIZES.

NOMINAL POWER OF EACH SIZE	0,7	1	1,5	2	2,6	3,3	4,1
	MW	MW	MW	MW	MW	MW	MW

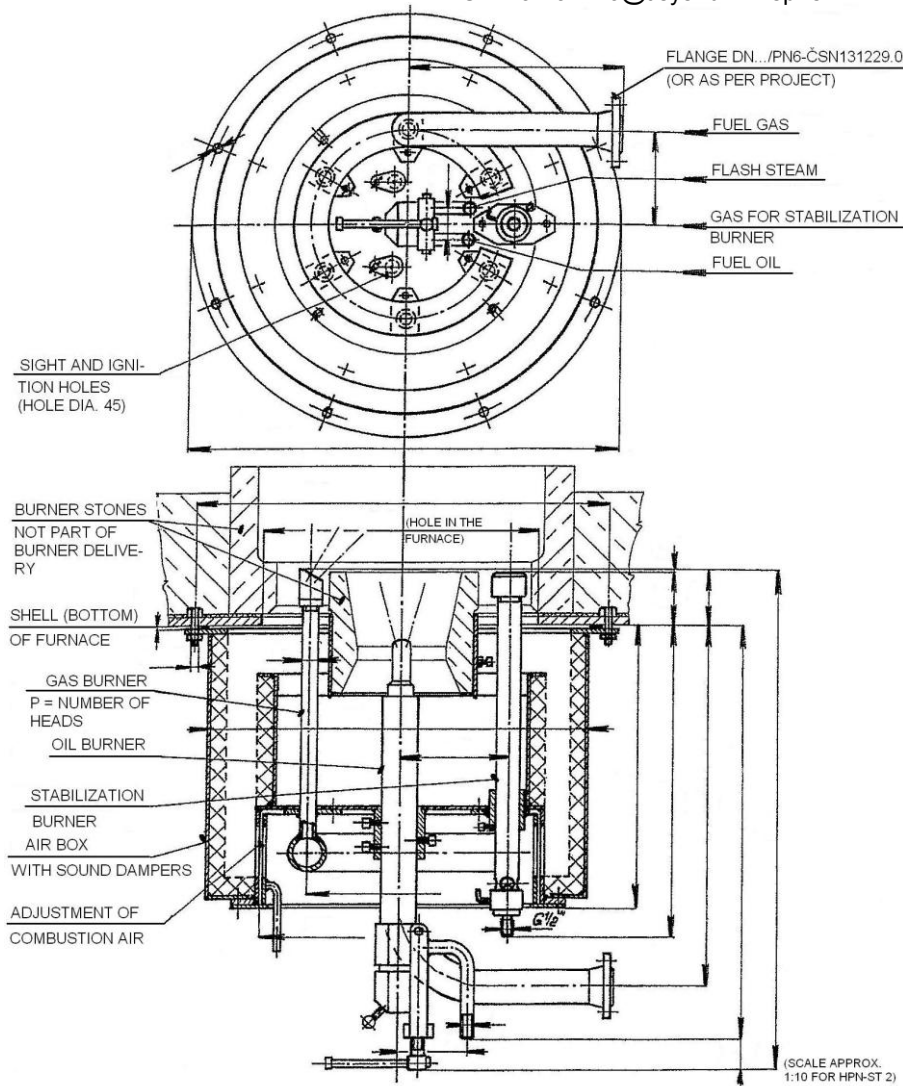
The burners are combined oil – gas burners with atmospheric combustion air sucked in from surroundings to the burner with underpressure in the furnace

- OIL BURNER HAS TWO CHAMBERS WITH SPRAYING OF FUEL OIL BY OVERHEATED STEAM
- GAS BURNER IS MIDDLE PRESSURE, NONINJECTOR WITH 5 – 10 HEADS
- STABILIZATION BURNER IS INJECTOR, GAS WITH POWER ABOUT 15 KW
- AIR BOX IS INSIDE EQUIPPED WITH SOUND DAMPERS AND HAS MANUAL ADJUSTMENT OF SUCKLED SECONDARY COMBUSTION AIR
- IGNITION OF BURNERS IS MADE BY MOBILE GAS IGNITION BURNER (APPROX. 15 KW) THAT CAN BE PART OF DELIVERY OF THE BURNERS

The burners HPN-ST can be manufactured in different options, e.g.:

- TYPE WORKMANSHIP VERTICAL (SEE SKETCH)
- HORIZONTAL WORKMANSHIP (INLETS OF OIL AND STABILIZATION BURNER ADJUSTED)
- GAS INLET CAN BE IMPLEMENTED BY ANOTHER FLANGE OR ROTATED IN ANOTHER DIRECTION
- WITHOUT OIL BURNER (MARKED: HNS-T)
- WITHOUT GAS BURNER (MARKED: HPS-T)

THE BURNERS HPN-ST HAVE A MODERN DESIGN WITH SMALL NOISINESS (UNDER 85 DB/A), WITH LOW OVERFLOW OF AIR AND WITH ECOLOGICAL AND ECONOMICAL OPERATION.



MW	D1	D2	D3	D4	D5	L1	L2	L3	L4	L5	L6	L7	L8	L9	L10	T	P	DN	G	kgs
0,7	415	655-8xM12	685	611	450	791	632	523	465	409	155	140	48	145	345	1/2"	5	40	1/2"	95
1	450	700-8xM12	730	656	480	806	647	558	465	444	170	140	48	165	360	1/2"	6	40	1/2"	110
1,5	480	740-8xM12	770	696	500	931	772	633	515	521	180	140	48	180	380	3/4"	6	50	1/2"	125
2	550	840-8xM12	880	786	560	967	808	713	660	598	205	140	48	200	425	3/4"	8	50	1/2"	150
2,6	610	895-12xM12	935	851	600	986	827	788	660	663	225	140	48	220	460	3/4"	10	65	1/2"	175
3,3	660	965-12xM12	1005	921	640	1114	971	853	795	728	254	148	52	240	490	3/4"	10	65	3/4"	200
4,1	720	1030-12xM12	1070	986	680	1144	1001	938	795	783	265	148	52	260	520	1"	10	80	3/4"	230

BURNERS HPN-ST ARE
MANUFACTURED BY



01/92

3 22 9248.0023

**SPECIAL BURNERS FOR INDUSTRIAL FURNACES
OF CHEMICAL INDUSTRY**

**BURNERS TYPE SERIES HPN-T WITH SEVEN
DIFFERENT SIZES.**

NOMINAL POWER OF EACH SIZE	1	1,5	2	2,6	3,3	4,1	5
	MW	MW	MW	MW	MW	MW	MW

THE BURNERS ARE COMBINED OIL – GAS BURNERS WITH PREHEATED FORCED COMBUSTION AIR (UP TO 400 °C)

- OIL BURNER HAS TWO CHAMBERS WITH SPRAYING OF FUEL OIL BY OVERHEATED STEAM
- GAS BURNER IS MIDDLE PRESSURE, NONINJECTOR WITH 4 – 10 HEADS
- STABILIZATION BURNER IS INJECTOR, GAS WITH A POWER OF ABOUT 15 KW (4 OPTIONS)
- AIR BOXES ARE INSIDE LINED BY THERMAL AND SOUND INSULATION. THEY HAVE A MANUAL ADJUSTMENT OF PRIMARY AND SECONDARY COMBUSTION AIR, WHICH IS PREHEATED UP TO 400 °C
- IGNITION OF BURNERS IS CARRIED OUT EITHER BY A MOBILE GAS IGNITION BURNER (ABOUT 15 KW) OR ELECTRICAL SPARKS (ACCORDING TO THE PROJECT AND TYPE OF THE STABILIZATION BURNER)

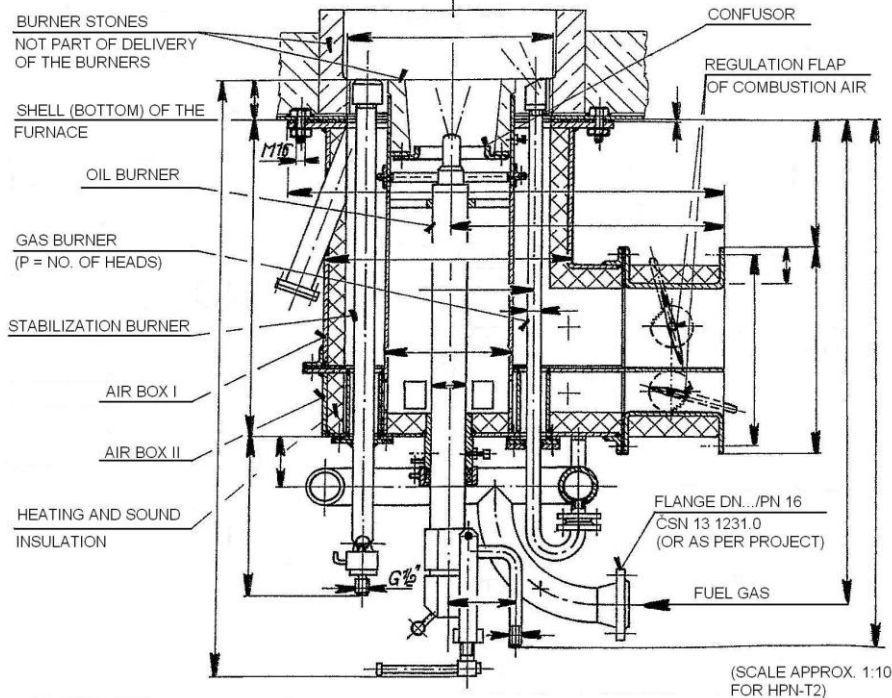
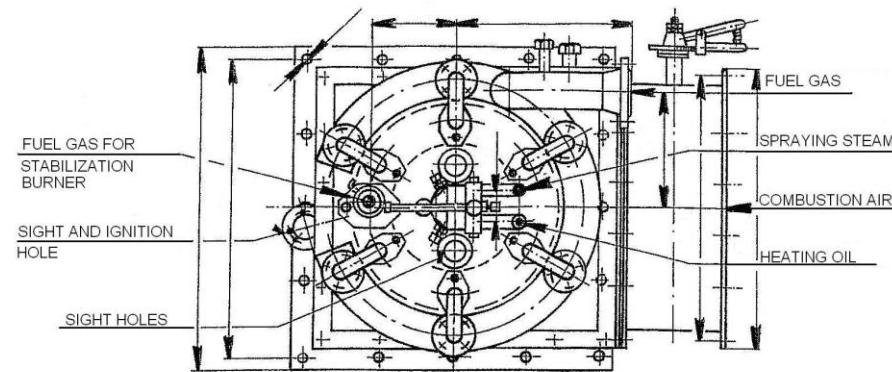
THE BURNERS HPN-T CAN BE IMPLEMENTED IN DIFFERENT VARIANTS, E.G.

- TYPE WORKMANSHIP VERTICAL (SEE SKETCH)
- HORIZONTAL WORKMANSHIP (INLETS OF OIL AND STABILIZATION BURNER ADJUSTED)
- GAS INLET CAN BE IMPLEMENTED BY ANOTHER FLANGE OR ROTATED IN ANOTHER DIRECTION
- WITHOUT OIL BURNER (MARKED: HN-T)
- WITHOUT GAS BURNER (MARKED: HP-T)
- POSSIBLY WITH A CYLINDRICAL AIR BOX (MARKED: HPN-T...K)

THE BURNERS OF THE TYPE HPN-T HAVE A MODERN DESIGN

THEY HAVE DECREASED EMISSIONS OF NO_x, FUEL CONSUMPTION AND LOW NOISINESS.

THE ECOLOGY, HYGIENE AND ECONOMY OF OPERATION OF INDUSTRIAL FURNACES ARE IMPROVED BY USAGE OF HPN-T BURNERS.



MW	D1	D2	D3	C1	C2	C3	C4	C5	C6	L1	L2	L3	L4	L5	L6	L7	L8	L9	L10	L11	L12	G	DN	P	T	kgs
1	350	260	210	580	4x135	508	404	5x95	4x93	1342	1178	968	263	632	142	140	48	220	275	521	811	1/2"	40	4	1/2"	225
1,5	370			600	4x140	528	404	5x100	4x93	1342	1178	968	263	632	150	140	48	240	275	331	516	1/2"	40	4	1/2"	245
2	400	340	260	620	4x145	558	404	5x105	4x93	1342	1178	972	263	632	170	140	48	235	360	546	856	1/2"	50	6	1/2"	255
2,6	440	370	280	660	4x155	600	465	6x95	5x87	1344	1180	1083	278	705	185	140	48	185	474	586	916	1/2"	65	8	1/2"	300
3,3	480	400	320	700	5x132	638	493	6x101	5x92	1518	1373	1121	285	743	195	148	52	212	510	626	976	3/4"	65	8	1/2"	350
4,1	530			750	5x142	688	538	6x110	5x102	1530	1384	1215	294	795	225	148	52	226	540	681	1056	3/4"	80	8	1/2"	400
5	580	500	400	800	5x152	738	584	7x101	6x92	1540	1394	1293	324	873	250	148	52	200	600	736	1136	3/4"	80	10	3/4"	455

BURNERS HPN-T
ARE
MANUFACTURED BY



01/92 | 3 22 9248.0021

SPECIAL BURNERS FOR INDUSTRIAL FURNACES OF CHEMICAL INDUSTRY

BURNERS TYPE SERIES HPN-T...K WITH SEVEN DIFFERENT SIZES.

NOMINAL POWER OF EACH SIZE	1	1,5	2	2,6	3,3	4,1	5
	MW	MW	MW	MW	MW	MW	MW

THE BURNERS ARE COMBINED OIL – GAS BURNERS WITH PREHEATED FORCED COMBUSTION AIR (UP TO 400 °C)

- OIL BURNER HAS TWO CHAMBERS WITH SPRAYING OF FUEL OIL BY OVERHEATED STEAM
- GAS BURNER IS MIDDLE PRESSURE, NONINJECTOR WITH 4 – 10 HEADS
- STABILIZATION BURNER IS INJECTOR, GAS WITH A POWER OF ABOUT 15 KW (4 OPTIONS)
- AIR BOXES ARE INSIDE LINED BY THERMAL AND SOUND INSULATION. THEY HAVE A MANUAL ADJUSTMENT OF PRIMARY AND SECONDARY COMBUSTION AIR, WHICH IS PREHEATED UP TO 400 °C
- IGNITION OF BURNERS IS CARRIED OUT EITHER BY A MOBILE GAS IGNITION BURNER (ABOUT 15 KW) OR ELECTRICAL SPARKS (ACCORDING TO THE PROJECT AND TYPE OF THE STABILIZATION BURNER)

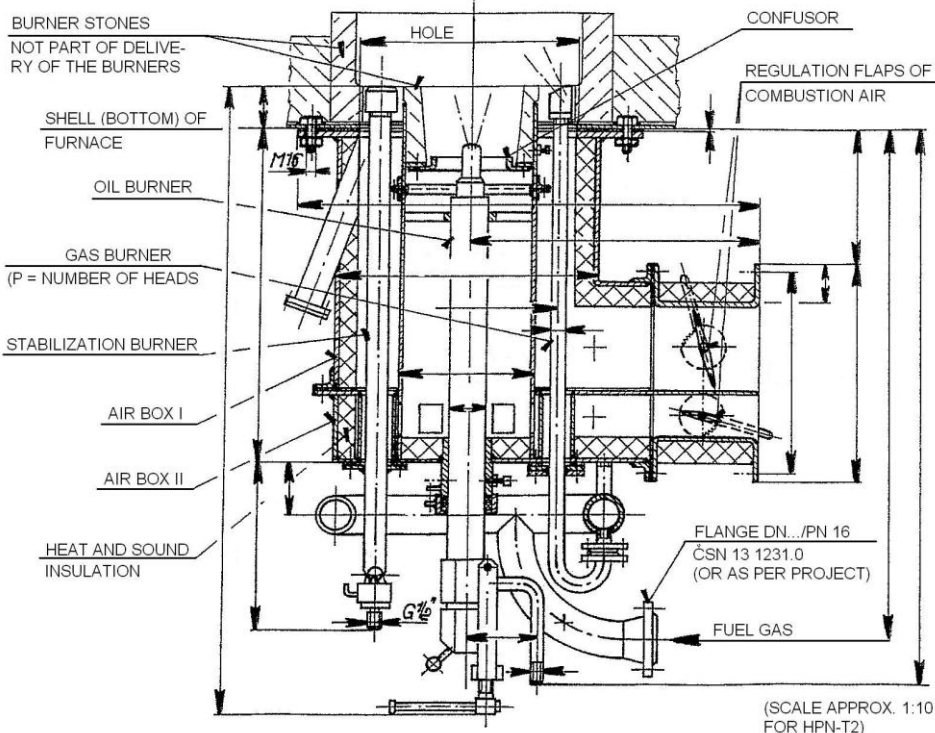
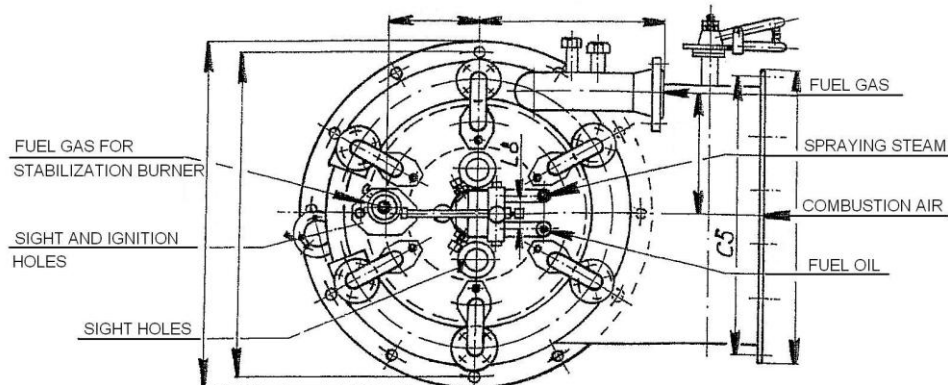
THE BURNERS HPN-T CAN BE IMPLEMENTED IN DIFFERENT VARIANTS, E.G.

- TYPE WORKMANSHIP VERTICAL (SEE SKETCH)
- HORIZONTAL WORKMANSHIP (INLETS OF OIL AND STABILIZATION BURNER ADJUSTED)
- GAS INLET CAN BE IMPLEMENTED BY ANOTHER FLANGE OR ROTATED IN ANOTHER DIRECTION
- WITHOUT OIL BURNER (MARKED: HN-T...K)
- WITHOUT GAS BURNER (MARKED: HP-T...K)
- POSSIBLY WITH A SQUARE AIR BOX MARKED: HPN-T (WITHOUT LETTER K)

THE BURNERS OF THE TYPE HPN-T HAVE A MODERN DESIGN

THEY HAVE DECREASED EMISSIONS OF NO_x, FUEL CONSUMPTION AND LOW NOISINESS.

THE ECOLOGY, HYGIENE AND ECONOMY OF OPERATION OF INDUSTRIAL FURNACES ARE IMPROVED BY USAGE OF HPN-T BURNERS.



MW	D1	D2	D3	C1	C2	C3	C4	C5	C6	L1	L2	L3	L4	L5	L6	L7	L8	L9	L10	L11	L12	G	DN	P	T	kgs
1	350	260	210	580	540 12xø19	508	404	5x95	4x93	1342	1178	968	263	632	142	140	48	220	275	521	811	1/2"	40	4	1/2"	225
1,5	370			600	560 12xø19	528	404	5x100	4x93	1342	1178	968	263	632	150	140	48	240	275	331	516	1/2"	40	4	1/2"	245
2	400	340	260	620	580 12xø19	558	404	5x105	4x93	1342	1178	972	263	632	170	140	48	235	360	546	856	1/2"	50	6	1/2"	255
2,6	440	370	280	660	620 12xø19	600	465	6x95	5x87	1344	1180	1083	278	705	185	140	48	185	474	586	916	1/2"	65	8	1/2"	300
3,3	480	400	320	700	660 12xø19	638	493	6x101	5x92	1518	1373	1121	285	743	195	148	52	212	510	626	976	3/4"	65	8	1/2"	350
4,1	530			750	710 xø19	688	538	6x110	5x102	1530	1384	1215	294	795	225	148	52	226	540	681	1056	3/4"	80	8		400
5	580	500	400	800	760 xø19	738	584	7x101	6x92	1540	1394	1293	324	873	250	148	52	200	600	736	1136	3/4"	80	10	3/4"	455

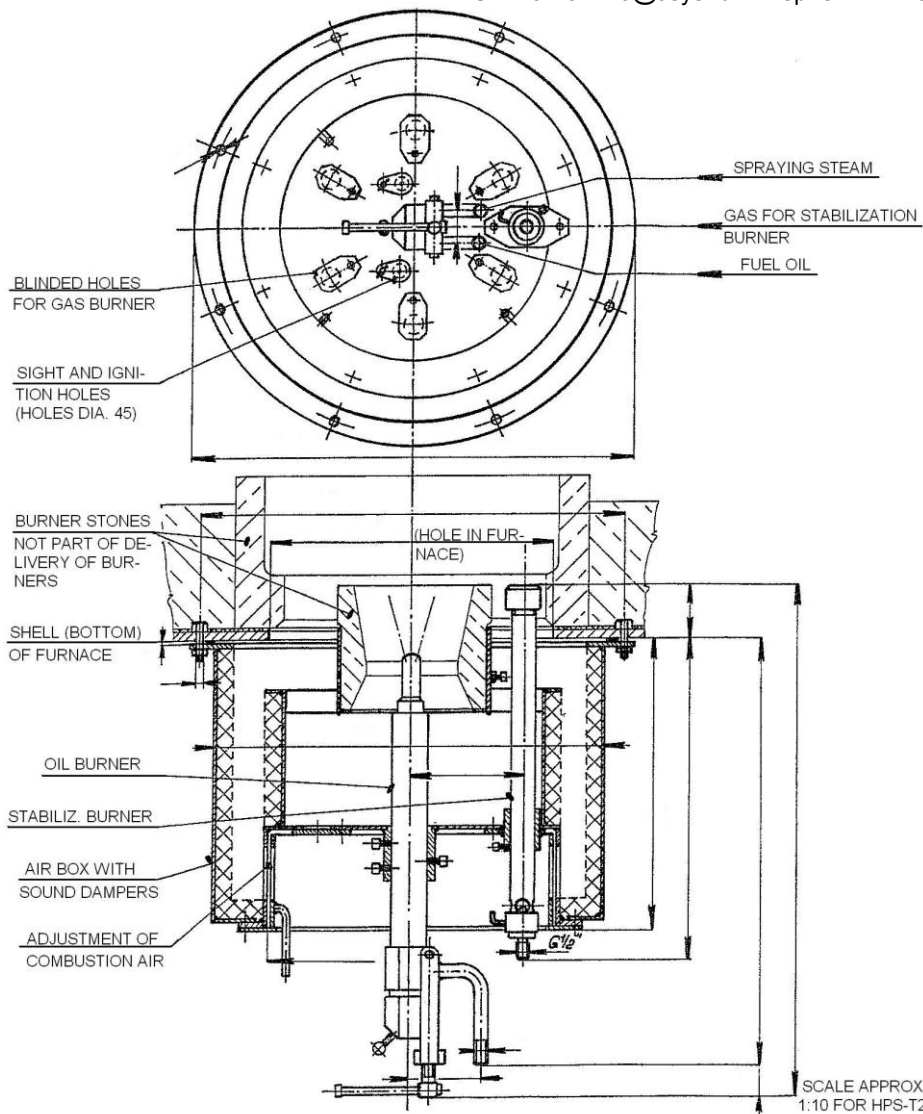
BURNERS HPN-T...K ARE
MANUFACTURED BY



01/92 3 22 9248.0022

SPECIAL BURNERS FOR INDUSTRIAL FURNACES OF CHEMICAL INDUSTRY

BURNERS TYPE SERIES HPS-T WITH SEVEN DIFFERENT SIZES.



NOMINAL POWER OF EACH SIZE	0,7	1	1,5	2	2,6	3,3	4,1
	MW	MW	MW	MW	MW	MW	MW

THE BURNERS ARE OIL WITH ATMOSPHERIC COMBUSTION AIR, intaken from air into the burner by underpressure in the furnace

- OIL BURNER IS WITH DOUBLE CHAMBER WITH SPRAYING OF FUEL OIL WITH PREHEATED STEAM
- STABILIZATION BURNER IS INJECTOR, GAS WITH A POWER OF ABOUT 15 KW (20KW FROM HPS-T2)
- AIR BOX IS EQUIPPED WITH SOUND DAMPERS AND HAS A MANUAL ADJUSTMENT OF THE INTAKEN COMBUSTION AIR
- IGNITION OF BURNERS IS CARRIED OUT BY A MOBILE GAS IGNITION BURNER (ABOUT 15 KW) WHICH CAN BE A PART OF THE BURNER DELIVERY

The burners HPS-T can be implemented in different OPTIONS, e.g. :

- TYPE IMPLEMENTATION VERTICAL (SEE SKETCH)
- HORIZONTAL IMPLEMENTATION (INLETS OF OIL AND STABILIZATION BURNER ADJUSTED)
- (THE BURNER CAN BE EQUIPPED WITH A GAS BURNER – THIS RESULTS IN CREATION OF THE BURNER HPN-ST, SEE CATALOGUE SHEET NO. 3 22-9248.0023)

THE BURNERS HPS-T HAVE A MODERN DESIGN WITH LOW NOISINESS (UNDER 85 DB/A), WITH LOW SURPLUS OF AIR AND WITH ECOLOGICAL AND ECONOMICAL OPERATION.

MW	D1	D2	D3	D4	D5	L1	L2		L4	L5	L6	L7	L8					G	kgs
0,7	415	655-8xM12	685	611	450	786	632		465	409	155	140	48					1/2"	80
1	450	700-8xM12	730	656	480	801	647		465	444	170	140	48					1/2"	90
1,5	480	740-8xM12	770	696	500	926	772		515	521	180	140	48					1/2"	105
2	550	840-8xM12	880	786	560	962	808		660	598	205	140	48					1/2"	120
2,6	610	895-12xM12	935	851	600	981	827		660	663	225	140	48					1/2"	140
3,3	660	965-12xM12	1005	921	640	1109	971		795	728	245	148	52					3/4"	160
4,1	720	1030-12xM12	1070	986	680	1139	1001		795	783	265	148	52					3/4"	185

BURNERS HPS-T ARE MANUFACTURED BY

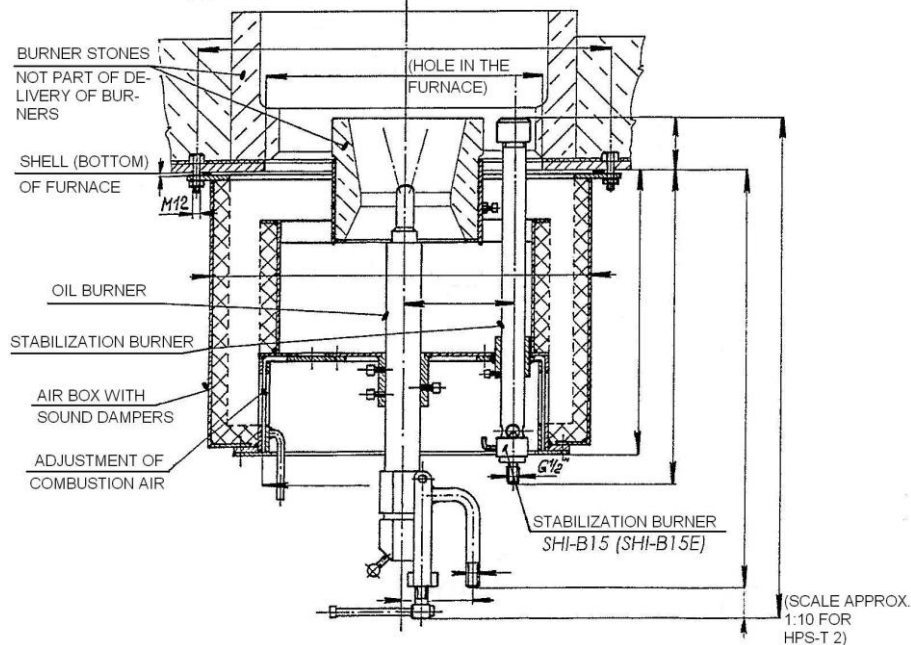
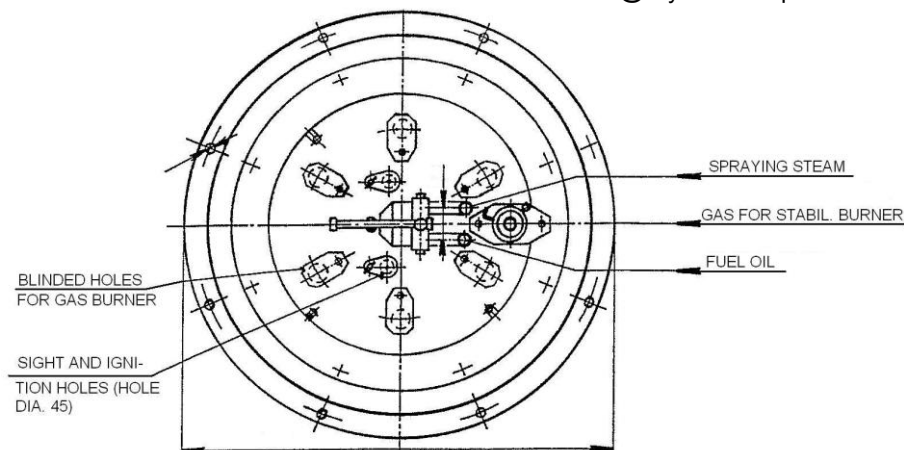


01/92

3 22 9248.0038

SPECIAL BURNERS FOR INDUSTRIAL FURNACES OF CHEMICAL INDUSTRY

BURNERS TYPE SERIES HPS-T (HP-ST) WITH SEVEN DIFFERENT SIZES.



NOMINAL POWER OF EACH SIZE	0,7	1	1,5	2	2,6	3,3	4,1
	MW	MW	MW	MW	MW	MW	MW

The burners are oil burners with INLET OF combustion air by underpressure in the furnace

- OIL BURNER HAS AN OIL SPRAYER 2K WITH SPRAYING OF FUEL OIL BY PREHEATED STEAM
- THE STABILIZATION BURNER SHI-B15 (SHI-B20) OR SHI-B15E IS INJECTOR, GAS WITH A POWER ABOUT 17 KW (20 KW FROM HPS-T2 – SHI-B20)
- AIR BOX IS EQUIPPED WITH SOUND DAMPERS WITH A MANUAL ADJUSTMENT (ROTATING REGISTER) OF INTAKEN COMBUSTION AIR BY UNDERPRESSURE IN THE FURNACE
- IGNITION OF STABILIZATION BURNERS SHI-B15E IS CARRIED OUT BY A PORTABLE GAS IGNITION BURNER (ABOUT 156 KW) WHICH CAN BE A PART OF THE BURNER DELIVERY)
- IGNITION OF STABILIZING BURNERS SHI-B15 SE IS CARRIED OUT BY MEANS OF MOBILE GAS IGNITION BURNER (ABOUT 15 KW) THAT CAN BE A PART OF BURNER DELIVERY
- IGNITION OF STABILIZATION BURNERS SHI-B1 5E IS CARRIED OUT BY MEANS OF AN EMBEDDED IGNITION ELECTRODE AND APPROPRIATE SAFEGUARDING SET

THE BURNERS HPS-T CAN BE IMPLEMENTED IN VARIOUS OPTIONS, E.G.:

- TYPE IMPLEMENTATION VERTICAL (SEE SKETCH)
- HORIZONTAL IMPLEMENTATION (INLETS OF OIL AND STABILIZATION BURNER ADJUSTED)

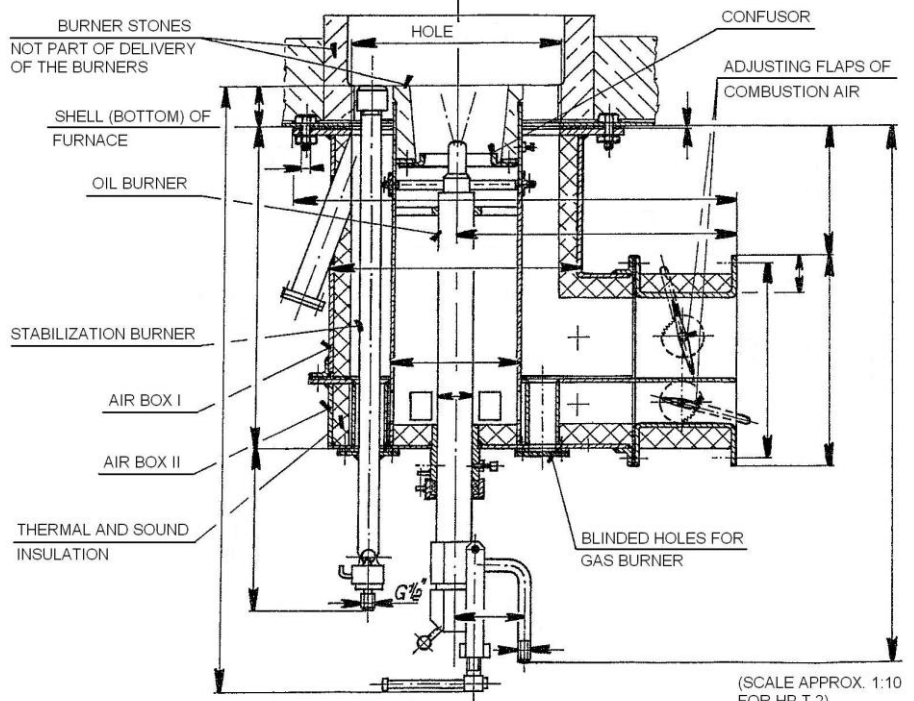
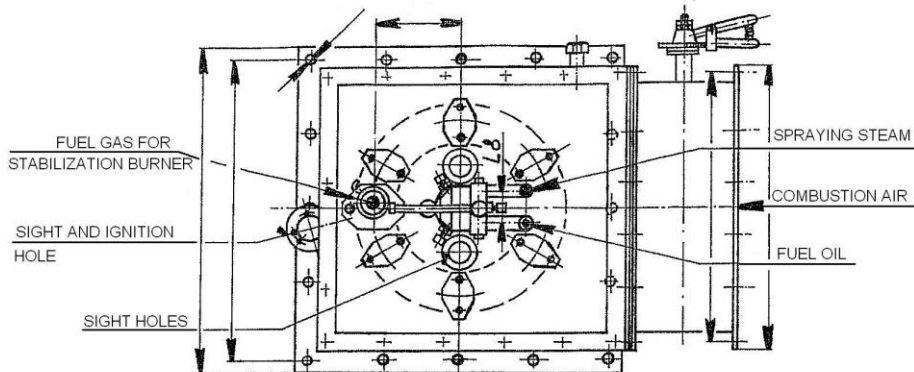
THE BURNERS HPS-T HAVE A MODERN DESIGN WITH LOW NOISINESS (UNDER 85 DB/A), WITH LOW SURPLUS OF AIR AND WITH ECOLOGICAL AND ECONOMICAL OPERATION.

MW	D1	D2	D3	D4	D5	L1	L2	L4	L5	L6	L7	L8	G	kgs
0,7	415	655-8xM12	685	611	450	786	632	465	409	155	140	48	1/2"	80
1	450	700-8xM12	730	656	480	801	647	465	444	170	140	48	1/2"	90
1,5	480	740-8xM12	770	696	500	926	772	515	521	180	140	48	1/2"	105
2	550	840-8xM12	880	786	560	962	808	660	598	205	140	48	1/2"	120
2,6	610	895-12xM12	935	851	600	981	827	660	663	225	140	48	1/2"	140
3,3	660	965-12xM12	1005	921	640	1109	971	795	728	245	148	52	3/4"	160
4,1	720	1030-12xM12	1070	986	680	1139	1001	795	783	265	148	52	3/4"	185

BURNERS HPS-T (HP-ST) ARE
MANUFACTURED BY



05/02 3 22 9248.0040



SPECIAL BURNERS FOR INDUSTRIAL FURNACES OF CHEMICAL INDUSTRY

BURNERS TYPE SERIES HP-T WITH SEVEN DIFFERENT SIZES.

NOMINAL POWER OF EACH SIZE	1 MW	1,5 MW	2 MW	2,6 MW	3,3 MW	4,1 MW	5 MW
----------------------------	------	--------	------	--------	--------	--------	------

The burners are oil burners with preheated forced combustion air (up to 400 °C)

- OIL BURNER HAS TWO CHAMBERS WITH SPRAYING OF FUEL OIL BY OVERHEATED STEAM
- STABILIZATION BURNER IS INJECTOR, GAS WITH A POWER OF ABOUT 15 KW (4 OPTIONS)
- AIR BOXES ARE INSIDE LINED BY THERMAL AND SOUND INSULATION. THEY HAVE A MANUAL ADJUSTMENT OF PRIMARY AND SECONDARY COMBUSTION AIR WHICH IS PREHEATED UP TO 400 °C
- IGNITION OF BURNERS IS CARRIED OUT EITHER BY A MOVABLE GAS IGNITION BURNER (ABOUT 15 KW) OR ELECTROSPARKS (ACCORDING TO THE PROJECT AND TYPE OF THE STABILIZATION BURNER)

THE BURNERS HP-T CAN BE IMPLEMENTED IN VARIOUS VARIANTS, E.G.:

- TYPE IMPLEMENTATION VERTICAL (SEE SKETCH)
- HORIZONTAL IMPLEMENTATION (INLETS OF OIL AND STABILIZATION BURNER ADJUSTED)
- (BURNER CAN BE POSSIBLY EQUIPPED WITH A GAS BURNER – THIS RESULTS IN CREATION OF THE BURNER HPN-T, SEE CATALOGUE SHEET NO. 3 22-9248.0021)

THE BURNERS OF THE TYPE HP-T HAVE A MODERN DESIGN

THEY HAVE DECREASED EMISSIONS OF NO_x, LOWERED FUEL CONSUMPTION AND LOW NOISINESS.

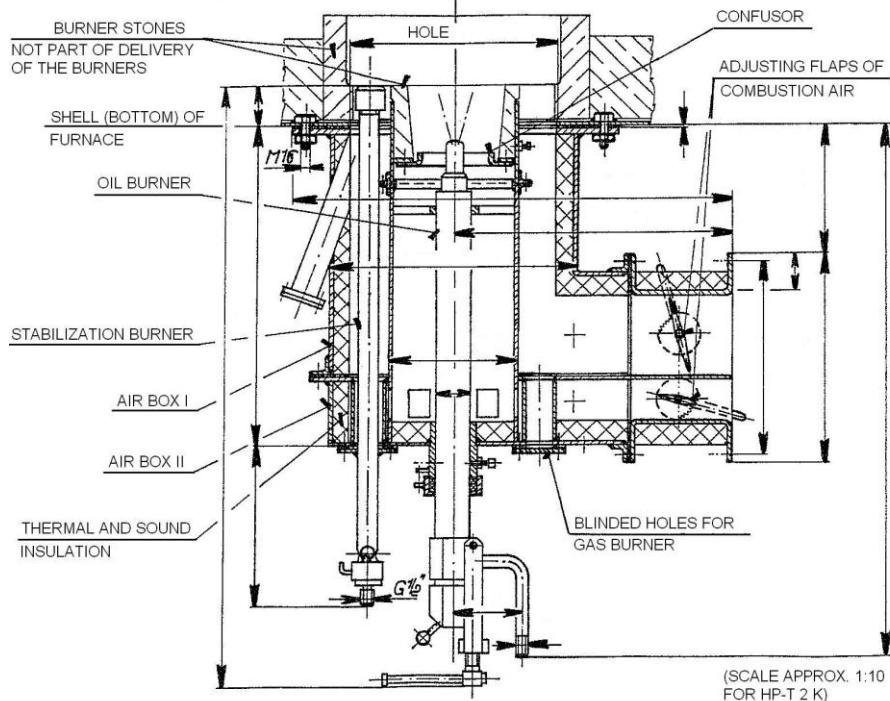
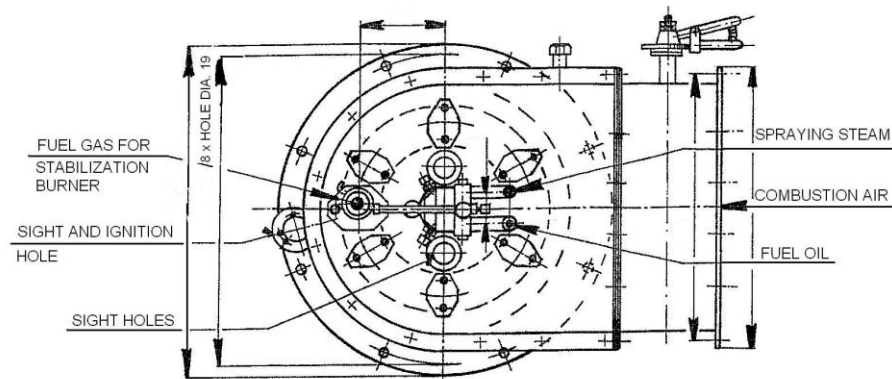
THE ECOLOGY, HYGIENE AND ECONOMY OF OPERATION OF INDUSTRIAL FURNACES IS IMPROVED BY USAGE OF HP-T BURNERS.

MW	D1	D3	C1	C2	C3	C4	C5	C6	L1	L2	L4	L5	L6	L7	L8	L11	L12		G	kgs
1	350	210	580	4x135	508	404	5x95	4x93	1342	1178	263	632	142	140	48	521	811		1/2"	200
1,5	370	230	600	4x140	528	404	5x100	4x93	1342	1178	263	632	150	140	48	331	516		1/2"	210
2	400	260	620	4x145	558	404	5x105	4x93	1342	1178	263	632	170	140	48	546	856		1/2"	220
2,6	440	280	660	4x155	600	465	6x95	5x87	1344	1180	278	705	185	140	48	586	916		1/2"	260
3,3	480	320	700	5x132	638	493	6x101	5x92	1518	1373	285	743	195	148	52	626	976		3/4"	300
4,1	530	360	750	5x142	688	538	6x110	5x102	1530	1384	294	795	225	148	52	681	1056		3/4"	340
5	580	400	800	5x152	738	584	7x101	6x92	1540	1394	324	873	250	148	52	736	1136		3/4"	380

BURNERS HP-T ARE MANUFACTURED BY



3 22 9248.0034



SPECIAL BURNERS FOR INDUSTRIAL FURNACES OF CHEMICAL INDUSTRY

BURNERS TYPE SERIES HP-T...K WITH SEVEN DIFFERENT SIZES.

NOMINAL POWER OF EACH SIZE	1	1,5	2	2,6	3,3	4,1	5
	MW	MW	MW	MW	MW	MW	MW

THE BURNERS ARE OIL BURNERS WITH PREHEATED FORCED COMBUSTION AIR (UP TO 400 °C)

- OIL BURNER HAS TWO CHAMBERS WITH SPRAYING OF FUEL OIL BY OVERHEATED STEAM
- STABILIZATION BURNER IS INJECTOR, GAS WITH A POWER OF ABOUT 15 KW (4 OPTIONS)
- AIR BOXES ARE INSIDE LINED BY THERMAL AND SOUND INSULATION. THEY HAVE A MANUAL ADJUSTMENT OF PRIMARY AND SECONDARY COMBUSTION AIR WHICH IS PREHEATED UP TO 400 °C
- IGNITION OF BURNERS IS CARRIED OUT EITHER BY A MOBILE GAS IGNITION BURNER (ABOUT 15 KW) OR ELECTROSPARKS (ACCORDING TO THE PROJECT AND TYPE OF THE STABILIZATION BURNER)

THE BURNERS HP-T..K CAN BE MANUFACTURED IN VARIOUS OPTIONS, E.G.:

- TYPE IMPLEMENTATION VERTICAL (SEE SKETCH)
- HORIZONTAL IMPLEMENTATION (INLETS OF OIL AND STABILIZATION BURNER ADJUSTED)
- (POSSIBLY BURNER CAN BE EQUIPPED WITH A GAS BURNER – THIS RESULTS IN CREATION OF THE BURNER HPN-T..K, SEE CATALOGUE SHEET NO. 3 22-9248.0022)

THE BURNERS OF THE TYPE HP-T..K HAVE A MODERN DESIGN. THEY HAVE DECREASED EMISSIONS OF NO_x, FUEL CONSUMPTION AND LOW NOISINESS.

THE ECOLOGY, HYGIENE AND ECONOMY OF OPERATION OF INDUSTRIAL FURNACES IS IMPROVED BY USAGE OF HP-T...K BURNERS.

MW	D1	D3	C1	C2	C3	C4	C5	C6	L1	L2	L4	L5	L6	L7	L8	L11	L12		G	kg
1	350	210	580	540x8xø19	508	404	5x95	4x93	1342	1178	263	632	142	140	48	521	811		1/2"	200
1,5	370	230	600	560x8x ø19	528	404	5x100	4x93	1342	1178	263	632	150	140	48	331	516		1/2"	210
2	400	260	620	580x8x ø19	558	404	5x105	4x93	1342	1178	263	632	170	140	48	546	856		1/2"	220
2,6	440	280	660	620x8x ø19	600	465	6x95	5x87	1344	1180	278	705	185	140	48	586	916		1/2"	260
3,3	480	320	700	660x8x ø19	638	493	6x101	5x92	1518	1373	285	743	195	148	52	626	976		3/4"	300
4,1	530	360	750	710x8x ø19	688	538	6x110	5x102	1530	1384	294	795	225	148	52	681	1056		3/4"	340
5	580	400	800	760x8x ø19	738	584	7x101	6x92	1540	1394	324	873	250	148	52	736	1136		3/4"	380

BURNERS HP-T...K ARE MANUFACTURED BY



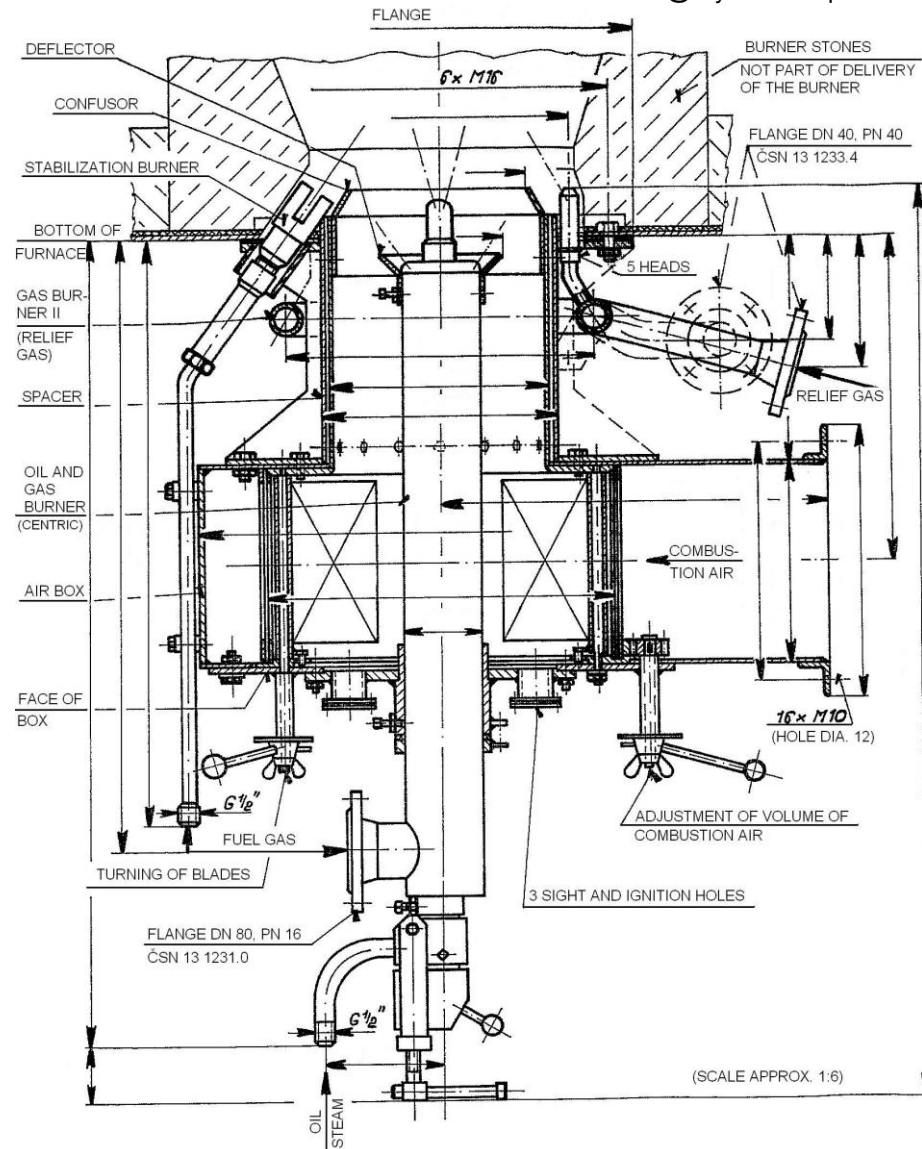
03/92 3 22 9248.0036

SPECIAL BURNERS FOR INDUSTRIAL FURNACES OF CHEMICAL INDUSTRY

BURNERS OPH 330 S AND OPH 330

are combined oil – gas burners with preheated forced combustion air (up to 350 °C)

- OIL BURNER HAS TWO CHAMBERS WITH SPRAYING OF FUEL OIL BY OVERHEATED STEAM
- GAS BURNER (CENTRIC) IS MIDDLE PRESSURE, NONINJECTOR, LOCATED COAXIALLY ON THE OIL BURNER
- GAS BURNER II TO BURN RELIEF GAS IS IN THE IMPLEMENTATION OPH 330 S ONLY (TUBE RIM AROUND A SPACER WITH FIVE OUTPUT NOZZLES)
- GAS BURNER OPH 330 IS WITHOUT A BURNER FOR RELIEF GAS AND HAS DIFFERENT CONNECTING DIMENSIONS TO THE FURNACE (MARKED BY * IN THE DRAWING)
- STABILIZING BURNER IS GAS, INJECTOR, ABOUT 15 KW
- AIR BOX HAS A MANUAL ADJUSTMENT OF THE AMOUNT OF COMBUSTION AIR AND WITH A MANUAL ADJUSTMENT OF THE ANGLE OF BLADES
- ON THE FURNACE WE RECOMMEND TO DO A THERMAL INSULATION OF THE BURNER AND AIR INLET (INSULATION IS NOT A PART OF BURNER DELIVERY)
- IGNITION OF BURNERS IS CARRIED BY A MOVABLE GAS IGNITION BURNER (ABOUT 15 KW) WHICH CAN BE A PART OF BURNER DELIVERY



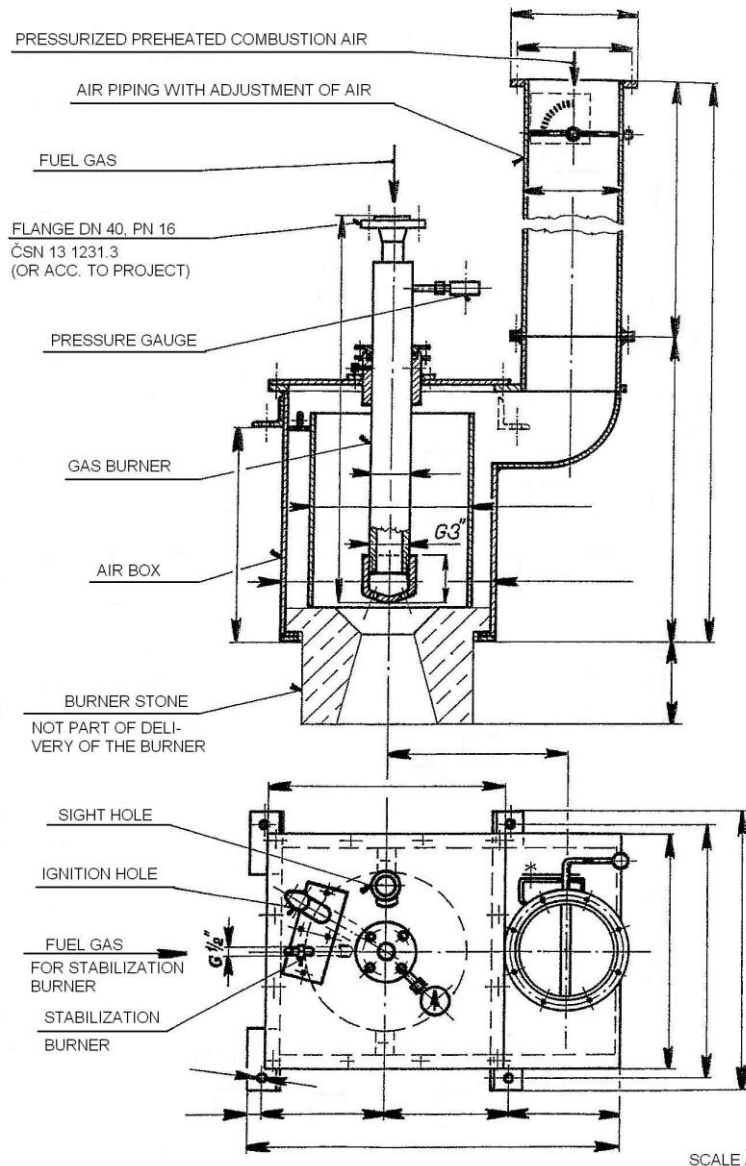
TYPE				~ kgs
OPH 330				212
OPH 330 S				224

BURNERS OPH 330 (S) ARE MANUFACTURED BY



01/92

3 22 9248.0032



SPECIAL BURNERS FOR INDUSTRIAL FURNACES OF CHEMICAL INDUSTRY

OVERHEAD BURNERS PHP

THEY ARE GAS – NONINJECTOR, MIDDLE PRESSURE WITH PREHEATED ENFORCED COMBUSTION AIR (APPROX. 250°C)

- WITH STABILIZATION INJECTOR BURNER SHI-PV18
 (APPROX. 25 KW)

- WITH ADJUSTING FLAP FOR MANUAL CONTROL OF COMBUSTION AIR IN THE INLET TO THE BURNER

- IGNITION OF BURNERS IS MADE BY MOBILE IGNITION BURNER (APPROX. 15 kW) THAT CAN BE PART OF DELIVERY OF THE BURNERS

THE PHP BURNERS CAN BE MANUFACTURED ALSO IN OTHER SIZES AND OPTIONS ACC. TO PROJECT.

TYPE	MW	kg
PHP 1	1	132

BURNERS PHP ARE MANUFACTURED BY



01/92

3 22 9248.0026